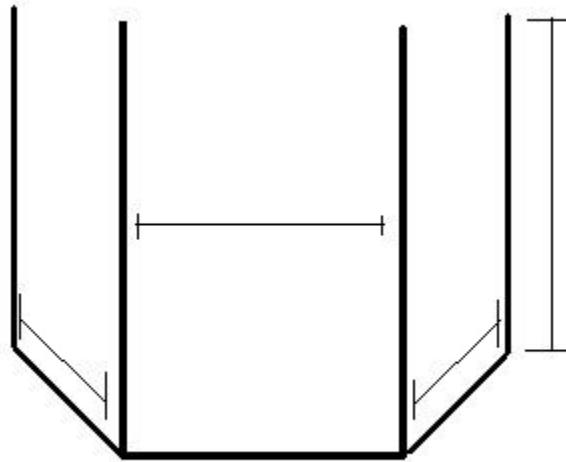


HOW TO MEASURE FOR A NEO ANGLE DOOR



IMPORTANT: ONLY USE FINISHED CENTERLINE DIMENSIONS.

MEASURE WIDTH ALONG CENTER OF THRESHOLD FROM FINISHED WALL TO LEFT CORNER OF DOOR, THEN ALONG CENTER OF DOOR, THEN FROM RIGHT CORNER OF DOOR TO FINISHED WALL,
ALWAYS MEASURING ON CENTER OF THRESHOLD.

MEASURE HEIGHT FROM TOP OF THRESHOLD TO DESIRED OVERALL HEIGHT.

PROVIDE PIVOT OR HINGE LOCATION.