



OWNER'S MANUAL GUIDE

NEO-ANGLE SHOWER DOOR ENCLOSURE for 882-982

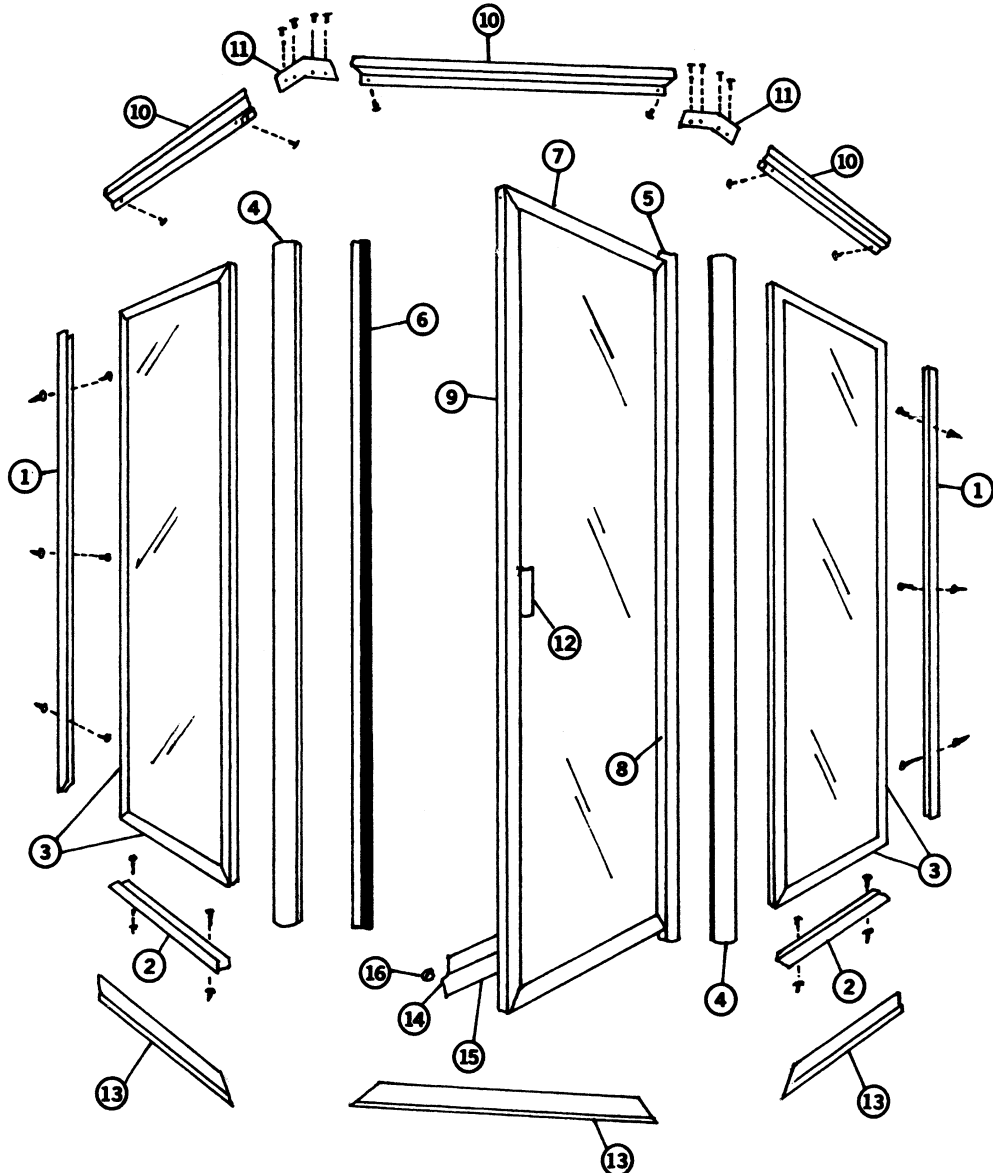
IMPORTANT: Record the Model No. _____ of your tub or shower enclosure for future reference.

READ THE INSTRUCTIONS CAREFULLY: familiarize yourself and check all the parts as shown in the exploded view. The exploded view will also provide a helpful reference when relating the location of the various parts and how they are mounted.

TOOLS AND MATERIALS NEEDED:

Tape Measure, Electric Drill, Level, Phillips and Flat Screwdrivers, Drill Bits (1/8", #29 & 3/16"), Hacksaw, Caulking Tube.

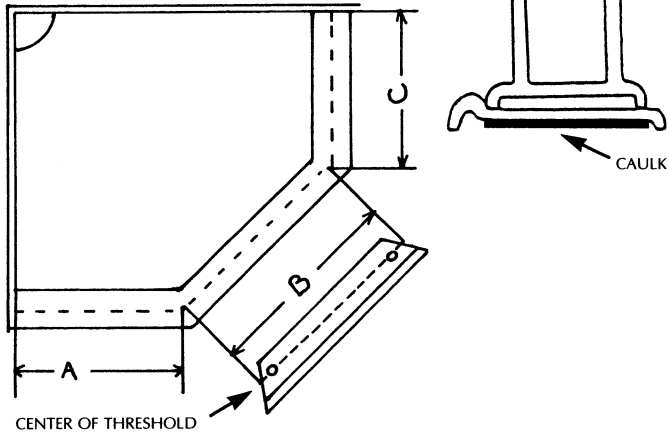
pacер/tryton



Installation

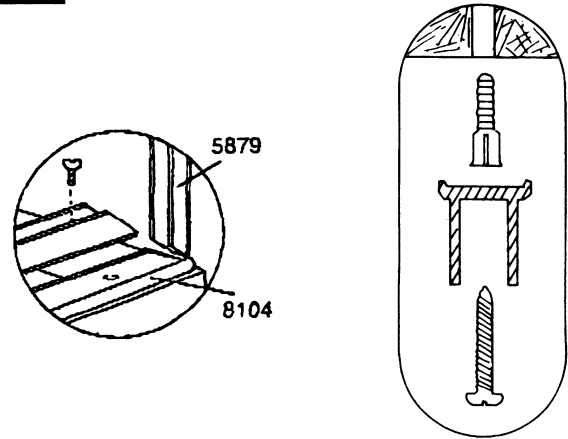
1

BOTTOM TRIM SITS ON THRESHOLD AS SHOWN.



Place center threshold part #8104 on center of base. Drill into base through guide holes with #29 or 1/8" bit and attach with 8 x 5/8" flathead screws. After center piece is installed, measure from wall to outside edge of center threshold. Do the same on both sides, then cut off each end. Lay in place and mark holes. Drill w/1/8" bit. Clean and caulk underside and at wall and joint.

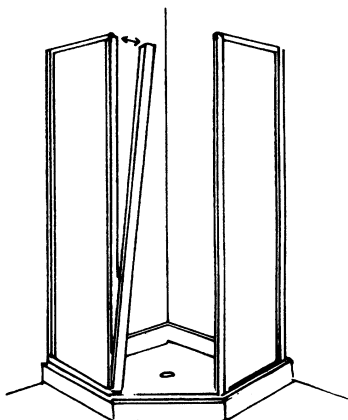
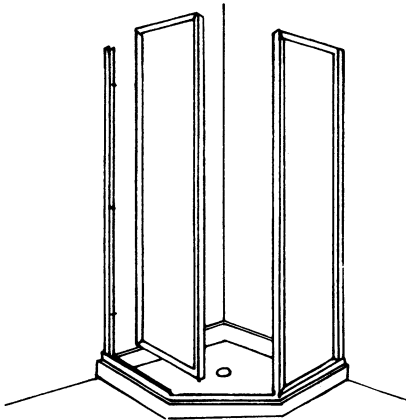
2



After threshold is installed, set #5879 on top of threshold with mitered end down, plumb and mark holes. Do the same for both sides. Make sure you cover threshold before drilling holes. Drill all holes with 1/8" for fiberglass and 3/16" masonry for tile. Insert wall plugs and secure with 8 x 1" flat head screws.

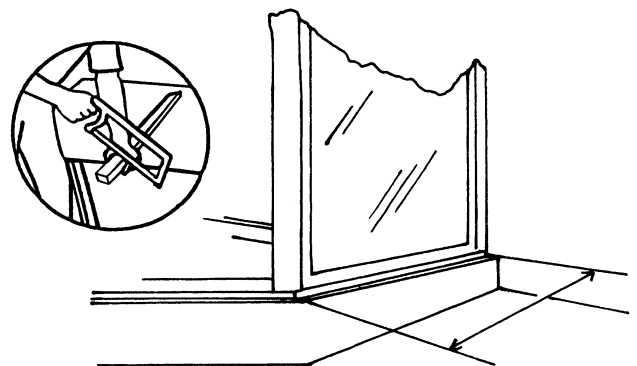
NOTE: When drilling into fiberglass or plastic walls **DO NOT USE** the screw anchors.

3



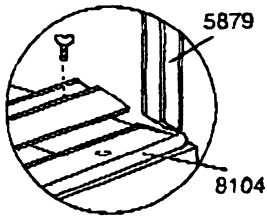
Position stationary panels temporarily into wall trim. Place both corner posts on both panels. Decide which side is the hinge jamb, then place strike jamb into opposite corner post. Set door in place temporarily.

4



With door in place, make sure panels and door are plumb with threshold, then measure from the wall to corner post on both sides. Cut bottom trim. (Do not cut Mitered end.)

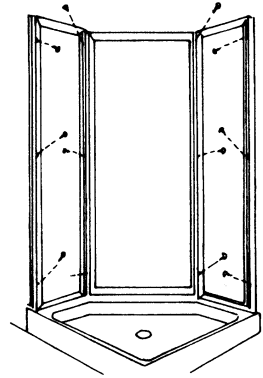
5



Remove door and panels. Set bottom trim #5879 on top of threshold. Drill with #29 bit and secure with 8 x 3/8" panhead screws. Caulk underside and 45° mitre.

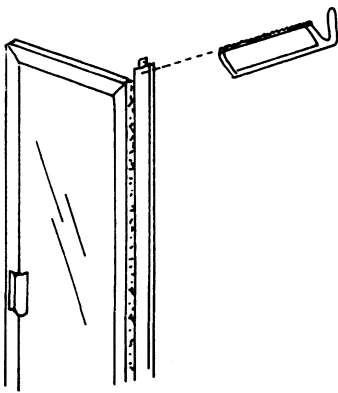
6

PART #838-P
ACTUAL SIZE



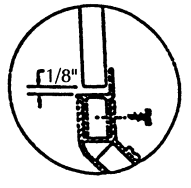
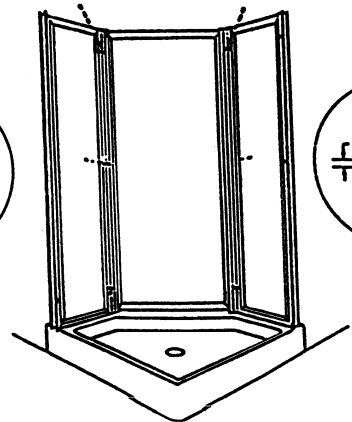
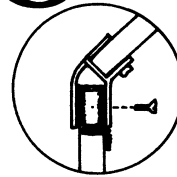
Position panel in place and adjust by using a shim (wood, metal or plastic) in bottom trim. From inside of shower drill (3) #29 holes approx. 2" from top and 2" from bottom and one in center. Stay 1/2" away from glass. Make sure corner post is level. Secure with 8 x 3/8" self-tapping screws. Place magnetic strike in corner post. Do not drill at this time.

7



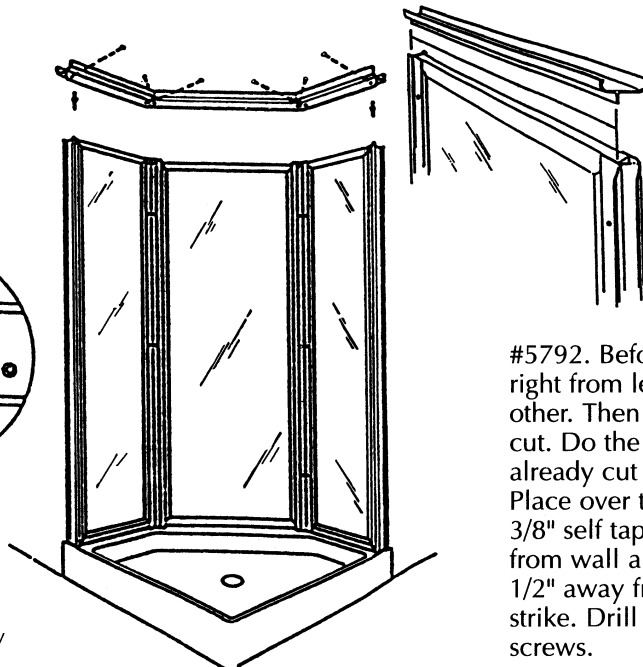
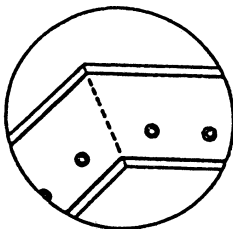
With both panels installed, set door in place. Lock against magnetic strike, you may have to cut off excess part of hinge flush w/corner post.

8



Close door against magnetic strike. From inside, adjust door if needed. Hold door in place. Drill (3) #29 holes through corner post approximately 2" from top and bottom and center. Secure with 8 x 3/8" panhead screws, then do the same for strike side.

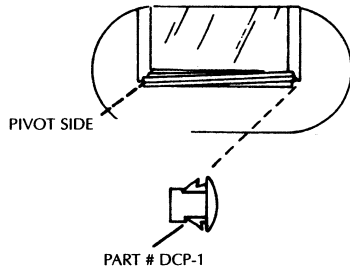
9



Header Screw & Nut Assembly

There is a right and left header #8880 with a 135 mitered end. Measure from the wall to center of corner post #5792. Before you cut header, make sure you know right from left side. One side may be larger than the other. Then measure from underside of header and cut. Do the same for other side (center header is already cut to size). Secure all three pcs. together. Place over top of door and panels and secure w/8 x 3/8" self tapping screws over the panel. Drill 4" from wall and 4" from corner post. Use 1/8" bit (stay 1/2" away from glass). Now with door closed adjust strike. Drill with 1/8" bit and secure with 8 x 3/8" screws.

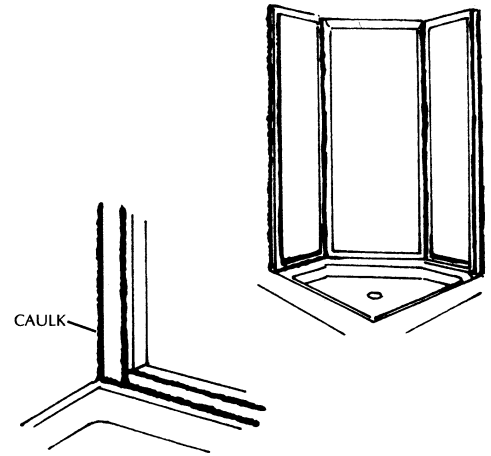
10



Wipe off door bottom frame with clean rag. Cut the vinyl sweep 1" longer than the drip rail and slide it into the groove on the underside of the drip rail. Position the drip rail with tape backing still in place on the inside of the door bottom frame even with the bottom edge and set 3/4" in from the edge with the magnet. The drip rail should be adjusted so that it angles down toward the hinge side and does not hit the bottom frame or corner posts when the door is closed. Mark location and then remove backing from tape and press drip rail in place. Insert plastic plug in drip rail opposite the hinge side to allow the water to drain back into the shower.

Note: Drip rail should not be removed after it has been set in position as the tape may tear.

11



Caulk along the inside of the wall jamb on each side where they meet the walls and caulk all joints where parts are screwed together (see drawing).

HOW TO ORDER REPLACEMENT PARTS:

Always give the following information to distributor nearest to your location:

1. Part Name
2. Part Number
3. Part Description (Length, Size, Color, etc.)
4. Model Number.

Key No.	Part Name	Part No.
1	WALL TRIM	5879
2	BOTTOM TRIM	5879
3	PANEL FRAME, TOP, SIDES	5493-3
4	135° POST	5792
5	HINGE JAMB W/HINGE	61/5466
6	STRIKE JAMB W/MAG. STRIP	5466-M
7	TOP/BOTTOM FRAME	1393/EX103
8	SIDE FRAME	1393/EX103
9	STRIKE SIDE W/MAG.	1393M/103M
10	HEADER, RIGHT, LEFT, CENTER	8880
11	135° HEADER PLATE	E9032
12	HANDLE	6627
13	THRESHOLD, RIGHT, LEFT & CENTER	8104
14	DRIP CAP PLUG	DCP1
15	VINYL STRIP	PVS2
16	DRIP RAIL	2482T

HOW TO CARE FOR YOUR ENCLOSURE:

Never use scouring powder, pads or sharp instruments on metal work or glass panels. An occasional wiping down with mild detergent diluted in water is all that is needed to keep the panels and anodized aluminum parts looking new.



Shower-Rite

7519 South Greenwood Avenue
 Chicago, Illinois 60619
 (773) 483-5400 or
 (800) 925-9131
 Fax: (773) 483-5409
 Website: www.showerite.com