



## **INSTALLATION INSTRUCTIONS**

### **D57-2, D58-2, D70-2, D72-2, D77-2**

**PACKING LIST**  
**NEW STYLE STEAM DOORS (-2)**

2 - Side lite glass panels with vinyl gasket  
1 - Centre door panel with hinge channel  
1 - Door jamb with magnetic strip  
1 - Header bar  
1 - Splash shield  
2 - Towel bars  
1 - Threshold sill  
1 - Hardware kit

**NOTES:**

1. Open carton carefully, remove panels, and check contents of hardware package against packing list.  
\*\* SEE FIG. 1 FOR PARTS IDENTIFICATION \*\*
2. Read instructions through before proceeding with installation.
3. Door is designed for either left or right hinged installation. It is recommended that the hinge be located on the side of the door opposite the shower spout.
4. The one piece Steam Suite unit is furnished with factory installed anodized aluminum wall/glass channels for door installation.
5. Cut a portion of the packaging carton to the shape of the tub or shower floor and place into unit to protect the acrylic surface during installation.
6. Threshold of unit has factory installed clear protective tape. Do not remove until completion of installation.

## INSTALLING THE SIDE LITE GLASS PANELS

Place one end of the glass panel in the bottom corner of the H-channel. Apply soapy water to the vinyl gasket at the top edge of the glass panel. Gently tilt the panel into position inside the H-channel. Place a wood block on the edge of the panel and tap it in with a rubber mallet. (figure 2) Repeat for other side.

**NOTE:** You need a minimum distance of  $24\frac{5}{8}$ " (626 mm) between the two glass panels. If the vinyl gasket is not all the way inside the H-channel at this point ... don't worry, it will be adjusted later.

## INSTALLING DOOR JAMB WITH MAGNETIC STRIP

At this point, you must determine a left or right hand opening of the steam door. Now position the jamb as it should be, namely on the shower spout side, and notch out the upper end as seen in figure 4.

Insert the notched end into the upper widened section of the H-channel and align it on the glass panel. Tap the jamb onto the glass panel using a block of wood and a rubber mallet. (see figure 2.)

## INSTALLING DOOR PANEL WITH HINGE CHANNEL

Select the upper end of the hinge channel and notch out the corner as seen in figure 4. Insert the notched end of the hinge channel, with door panel, in the widened section of the H-channel and tap it in place with a wood block and a rubber mallet. (See figure 2).

**NOTE:** The door jamb and hinge channel now overlap the wall channels at the bottom of the door; thus the notches in the wall channels. Shims on the door panel will assure the proper gap between door and jamb. Drill  $\frac{7}{64}$ " holes in the ends of the jamb and hinge channel using existing holes as a guide. (see figure 3) Once the screws are in, remove the shims.

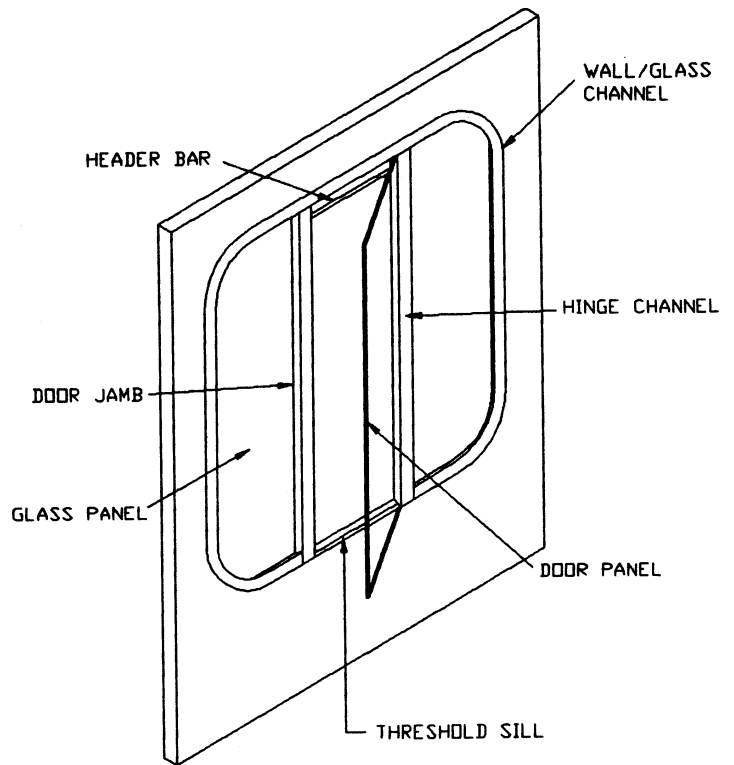


Figure 1

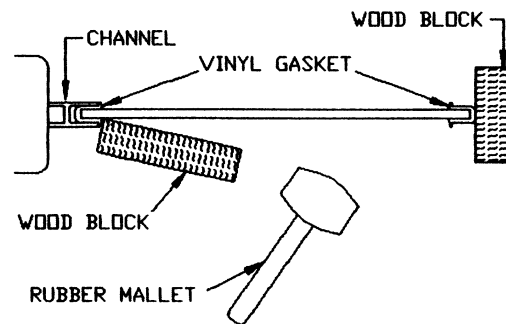
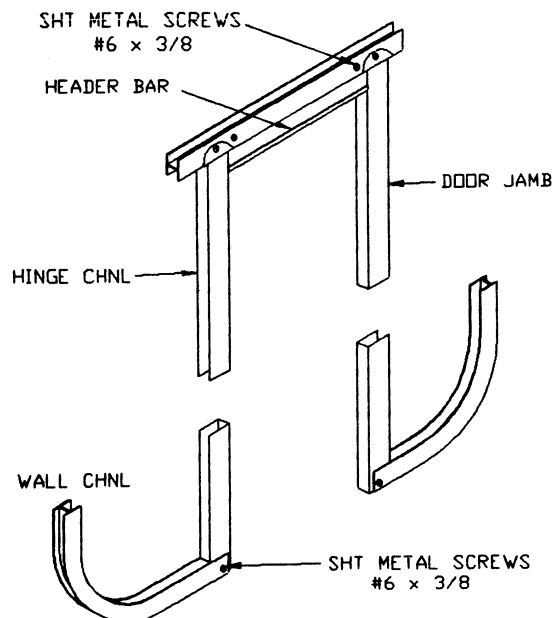


Figure 2



NOTE: VIEW FROM INSIDE OF UNIT

Figure 3

## MOUNTING THE HEADER BAR AND JAMB SCREWS

With the door closed, verify that the gap between the door panel and door jamb is even from top to bottom. Adjust by tapping the jamb or door panel as required. From the inside of the unit, drill  $\frac{7}{64}$ " (3 mm) holes on the widened sections of the H-channels and secure the jambs with #6 x  $\frac{3}{8}$ " pan head sheet metal screws. (Figure 3)

### \*\* Avoid Drilling Into The Glass Panels\*\*

Slide header bar into position and adjust for a  $\frac{1}{16}$ " (1.5 mm) gap between header and top of door. Drill a  $\frac{1}{8}$ " (3 mm) hole at each end of header bar and fasten in place with #6 x  $\frac{3}{8}$ " pan head sheet metal screws. (Figure 3)

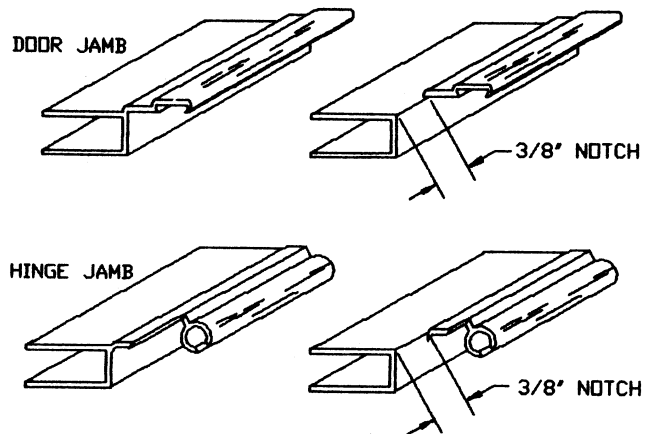


Figure 4

## ADJUSTING THE VINYL GASKET

Using a block of wood and a rubber mallet, gently tap the vinyl gasket properly into the channels as required. (figure 2)

## INSTALLING THE THRESHOLD SILL

The threshold sill must be positioned with the raised lip to the outside of the tub/shower enclosure and the grooves facing down. Apply a generous bead of clear silicone onto the grooves of the threshold sill and install it flush with the outer surface of the door.

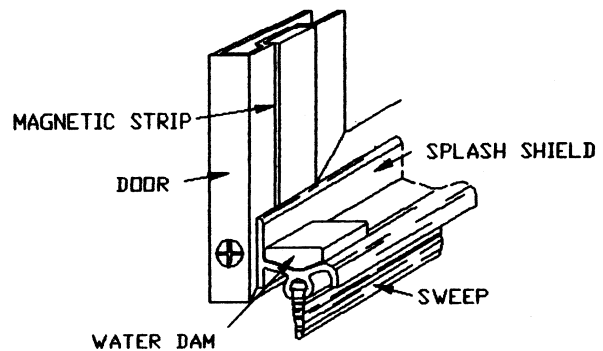


Figure 5

**NOTE: SILL MUST BE CUT TO FIT OPENING.**

## INSTALLING THE SPLASH SHIELD

First, slide the vinyl door sweep onto the splash shield (see figure 5) then align the splash shield, on the inside of the door, with a gentle slope towards the hinge side and mark the ends. The vinyl sweep should just wipe across the threshold sill. Peel adhesive backing and stick splash shield in place using your marks as reference.

Apply the vinyl water dam at the high end of the splash shield with a dab of clear silicone. (figure 5)

Refer to figure 6 for installation of **TOWEL BAR**.

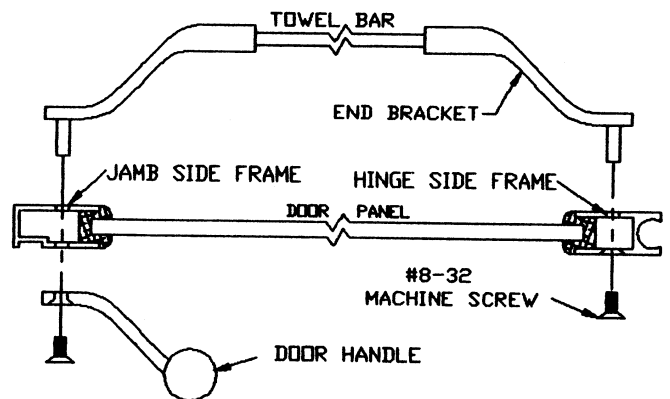


Figure 6

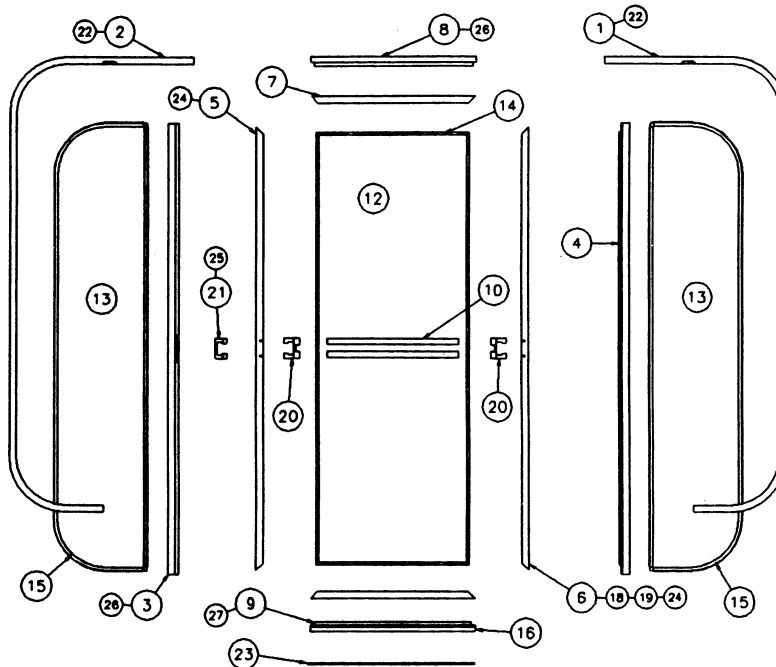
*Section Through Door Panel*

**PART LIST - NEW STEAM DOOR**

ITEM	DESCRIPTION	PART #'S					QTY
		D57-2	D58-2	D70-2	D72-2	D77-2	
1	RH WALL/GLASS CHNL	A_5701	A_5801	A_7001	A_7201	A_7701	1
2	LH WALL/GLASS CHNL	A_5702	A_5802	A_7002	A_7202	A_7702	1
3	DOOR JAMB*	A_5703	A_5703	A_7003	A_7203	A_7703	1
4	MALE HINGE CHNL	A_5704	A_5704	A_7004	A_7204	A_7704	1
5	DR CHNL JAMB SIDE *	A_5705	A_5705	A_7005	A_7205	A_7705	1
6	DR CHNL FEMALE HINGE	A_5706	A_5706	A_7006	A_7206	A_7706	1
7	TOP/BOT DOOR CHNL *	A_5638	A_5368	A_5638	A_5638	A_5638	2
8	HEADER BAR *	A_5639	A_5639	A_5369	A_5639	A_5639	1
9	SPLASH SHIELD	A_S200	A_S200	A_S200	A_S200	A_S200	1
10	TOWEL BAR	A_T100	A_T100	A_T100	A_T100	A_T100	2
11	BEAUTY CLIPS	A_5720	A_5720	A_5720	A_5720	A_5720	2
12	CTR GLASS PANEL	GCC580	GCC580	GCC700	GCC720	GCC770	1
13	SIDE GLASS PANEL	GCS572	GCS582	GCS702	GCS722	GCS772	2
14	CTR PNL GLAZING SPLINE	VL0682	VL0682	VL0682	VL0682	VL0682	1
15	WING PNL GLAZING SPLINE	VL2494	VL2494	VL2494	VL2494	VL2494	2
16	VINYL DOOR SWEEP	VL0120	VL0120	VL0120	VL0120	VL0120	1
17	MAGNETIC STRIP	VMG255	VMG255	VMG255	VMG255	VMG255	5
18	HINGE BUSHING	HW6060	HW6060	HW6060	HW6060	HW6060	2
19	BUSHING WASHER	HW2538	HW2538	HW2538	HW2538	HW2538	2
20	TOWEL BAR BRKT	H_8132	H_8132	H_8132	H_8132	H_8132	2
21	INSIDE PULL HANDLE	H_8148	H_8148	H_8148	H_8148	H_8148	1
22	#8 x 1" CHNL SCREW	SC0803	SC0803	SC0803	SC0803	SC0803	20
23	THRESHOLD SILL	A_5848	A_5848	A_5848	A_5848	A_5848	1
24	#8 x 1 1/4" DR FRM SCREW	S_0805	S_0805	S_0805	S_0805	S_0805	4
25	#8-32 x 1/2" FLAT SCREW	S_0801	S_0801	S_0801	S_0801	S_0801	4
26	#6 x 3/8" PAN HEAD SCREW	S_0607	S_0607	S_0607	S_0607	S_0607	6
27	VINYL WATER DAM	VL0125	VL0125	VL0125	VL0125	VL0125	1

\*CHANNELS WITH MAGNETIC STRIP

NOTE: FILL IN THE BLANKS - **C** FOR CHROME & **B** FOR BRASS OR GOLD



**National Customer Assistance Group**

255 Hutchings Street, Winnipeg, Manitoba R2X 2R4

Phone: 204-633-6122 Fax: 204-632-4854

Toll Free 1-800-665-7531

In the U.S. call 1-800-546-5476

Distribution Coast to Coast