



OWNER'S MANUAL BY-PASS SHOWER DOOR COMET

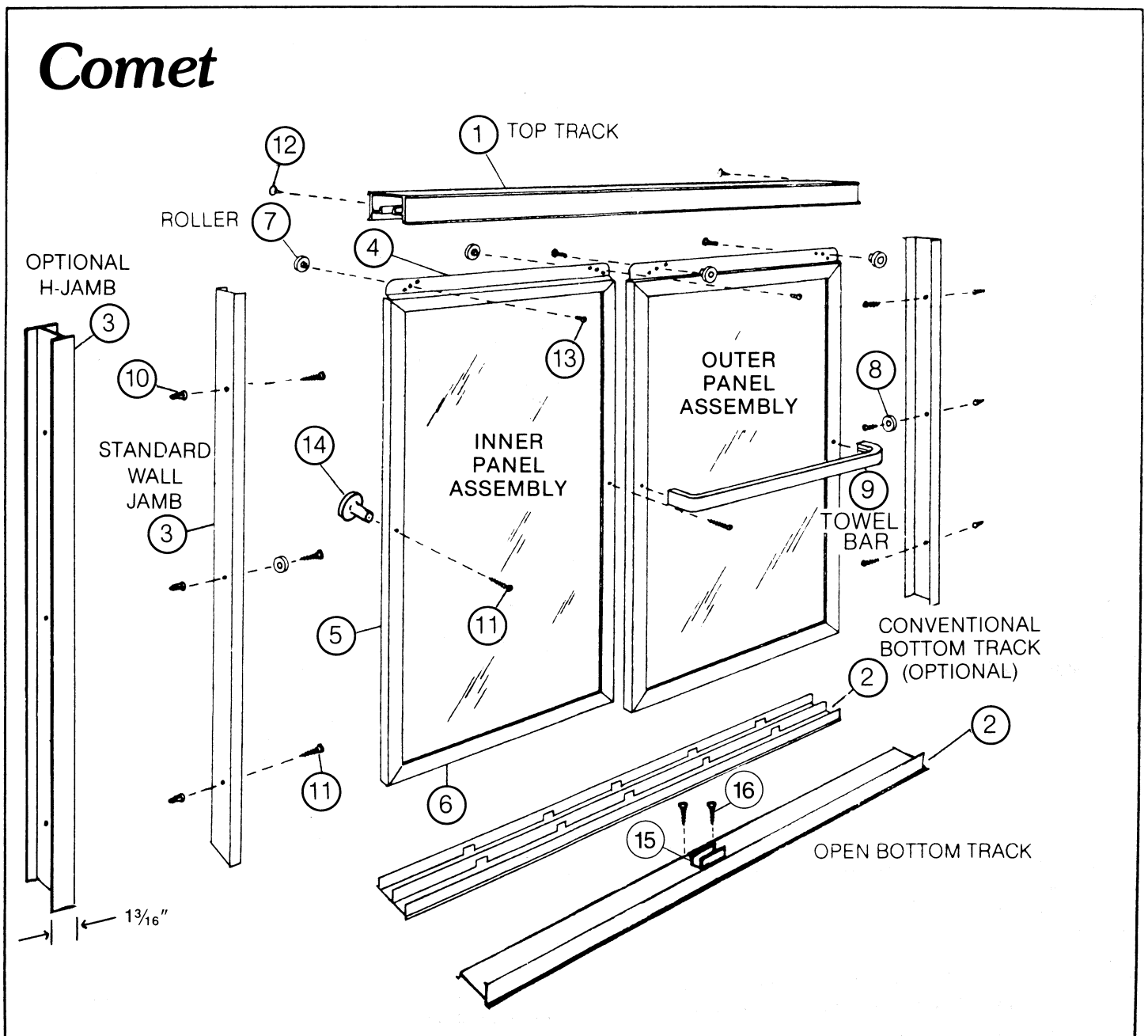
IMPORTANT: Record the Model No. (see carton) of your tub or shower enclosure for future reference.

Model No. _____

READ THE INSTRUCTIONS CAREFULLY, familiarize yourself with all the parts as shown in the exploded view. The exploded view will also provide a helpful reference when relating the location of the various parts and how they are mounted.

TOOLS AND MATERIALS NEEDED:

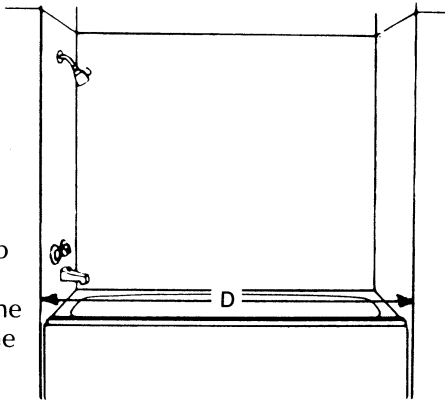
Tape Measure, Electric Drill, Level, Phillips and Flat Screwdrivers, Drill Bits (1/8" & 3/16"), Hacksaw, Silicone Caulk



installation

1

Measure distance "D" in the center of the tub ledge (if a steel tape is used, be sure to add the width of the case to the measurement).



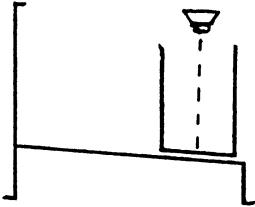
2

Cut bottom track 3/16" shorter than distance "D." Do not cut top track at this time. For best results use a 32 tooth hacksaw blade and a miter box.

NOTE: If using optional H-jamb, cut bottom track 1-3/16" shorter than distance "D". Never cut wall jambs.



3

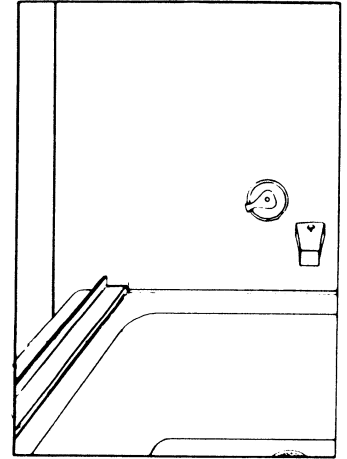


Slanted side of center guide should be inside edge of bottom track by about 1/16".

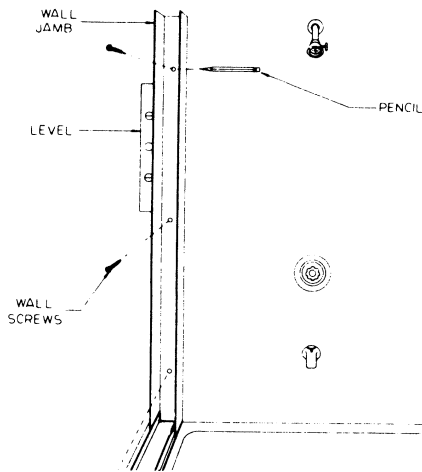
After cutting open bottom track to size, measure from the end to the center of the bottom track and locate center guide there on inside edge (see drawing). Use center guide as template and drill two 1/8" holes and attach to bottom track with 3/16" flat head screws.

4

Temporarily place bottom track in the center of the ledge. For conventional bottoms track, drain holes should be toward the inside. For open bottom track, the center guide should be toward the inside. Fasten in place temporarily with masking tape and mark its position with a pencil.



5



Use a level to plumb the wall jamb as shown and mark the 3 hole locations. Repeat procedure at opposite end of unit with other jamb. It may be necessary to round off the bottom corner of the wall jambs to fit the corners of fiberglass shower modules.

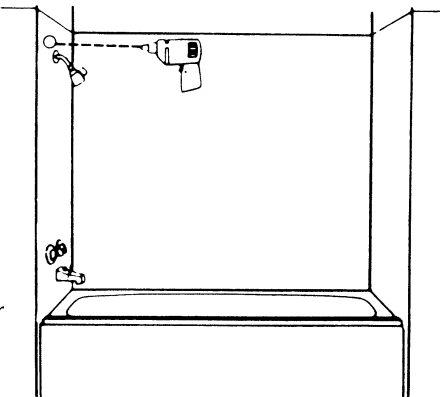
6



(ACTUAL SIZE)

Remove bottom track and drill 3/16" holes for screw anchors. In ceramic tile use a masonry drill and nick surface glaze first with a center punch. After drilling, clean tub rim or stall threshold thoroughly to assure proper adhesion of bottom track. Insert screw anchors provided.

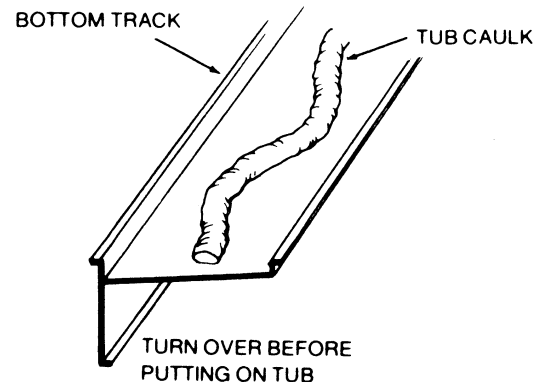
NOTE: On fiberglass or plastic walls, use a 1/8" drill bit and do not use the screw anchors.



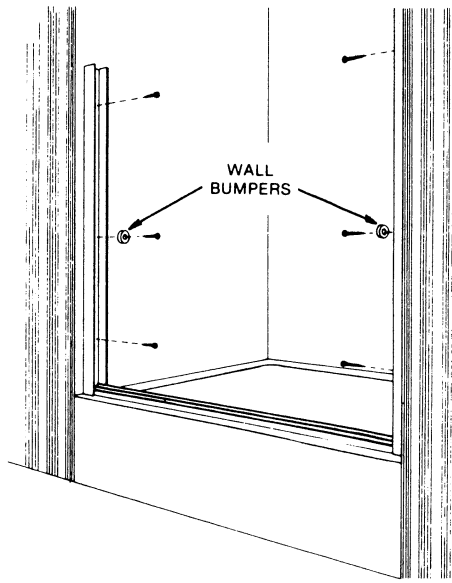
7

Apply a thick bead of caulking to bottom of bottom track as shown, and replace on unit in marked location.

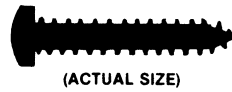
NOTE: Position with drain slots to inside for conventional bottom track. Position the center guide to the inside for open bottom track.



8



STANDARD JAMB SCREW



Install wall jamba and secure with wall screws provided. Make sure wall bumper is installed at the center as shown.

OPTIONAL H-JAMB SCREW

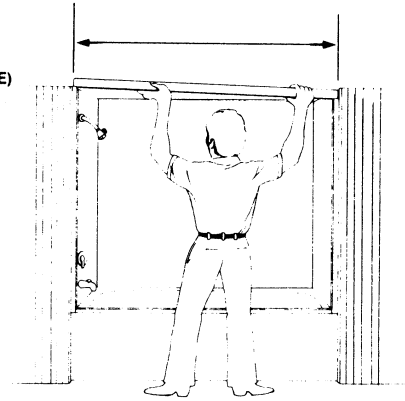


9



Measure the wall to wall opening at top of jamba and cut the header 1/16" shorter than the actual measurement to allow for clearance. For best results, use a 32 tooth hacksaw blade and a miter box.

10

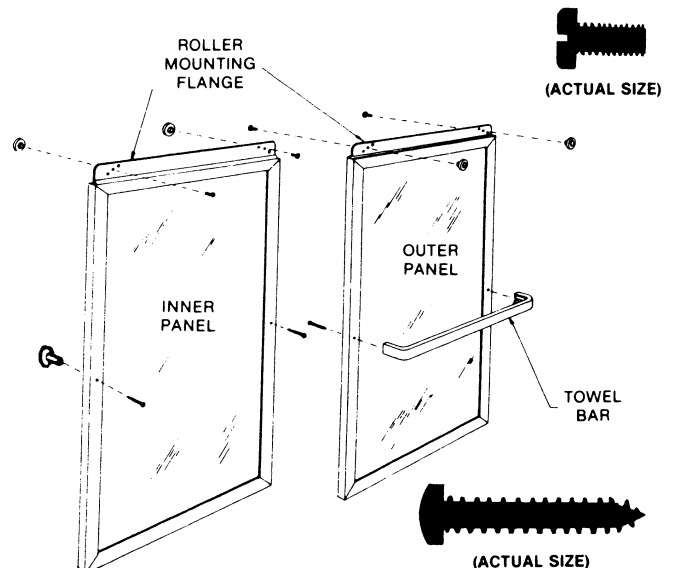


Install Header over each top end of wall jamba. Drill a 1/8" hole through the header and into the wall jamba from the inside (1/4" from the wall). Fasten header to wall jamba with screws provided.

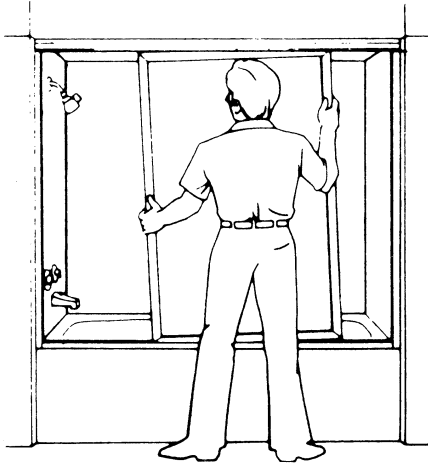
11

Install Towel Bar and round plastic handles to doors as shown. Smooth side of panels (if any) should be facing inside the tub.

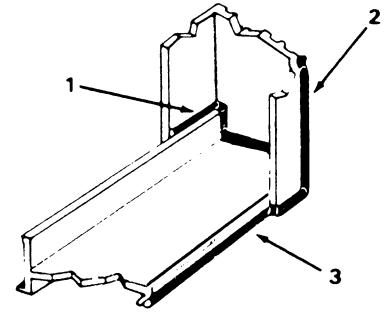
Mount nylon rollers to center holes on top of each door, facing the same way as the towel bar and handles. The other two holes are for adjustment in case of out-of-plumb walls. The metal nut on the rollers should be installed against the door top.



12



13



Install door panels by lifting up inside the header and hanging the rollers on each respective groove.

1. Caulk the gap at both ends of the bottom track wall jambs. 2. Caulk along the inside of wall jamb. 3. Caulk along bottom track for additional sealing.

how to order replacement parts:

Always give the following information to your Dealer:

1. Part Name
2. Part Number
3. Part Description (Length, Size, Color, etc.)
4. Model Number

Key No.	Part Name	Part No.
1	HEADER	1090
2	CONVENTIONAL BOTTOM TRACK OPEN BOTTOM TRACK	1392 EX104
3	WALL JAMB – STANDARD H-JAMB – OPTIONAL	EX105 1391-1
4	TOP FRAME	1094
5	SIDE FRAME	1093
6	BOTTOM FRAME	1095
7	ROLLER	E9004
8	WALL BUMPER	55
9	TOWEL BAR	1098
10	SCREW ANCHOR	PSA-1
11	MTG. SCREW-WALL JAMB/TOWEL BAR MTG. SCREW – OPTIONAL H-JAMB	81-P 82-P
12	MTG. SCREW – HEADER	838-PP
13	SCREW – ROLLER	832-12
14	ROUND PLASTIC HANDLE	9103
15	CENTER GUIDE	MSG 1
16	CENTER GUIDE SCREWS	838-F



Shower-Rite Division

7519 South Greenwood Avenue
Chicago, Illinois 60619
(773) 483-5400 or
(800) 925-9131
FAX: (773) 483-5409

HOW TO CARE FOR YOUR ENCLOSURE

Never use scouring powder, pads or sharp instruments on metal or glass panels. An occasional wiping down with mild detergent diluted in water is all that is needed to keep the panels and anodized aluminum parts looking new. The use of squeegee following each shower is recommended to eliminate water spots on the inside of the glass panels.