



# OWNER'S MANUAL

## BY-PASS SHOWER DOOR PACER

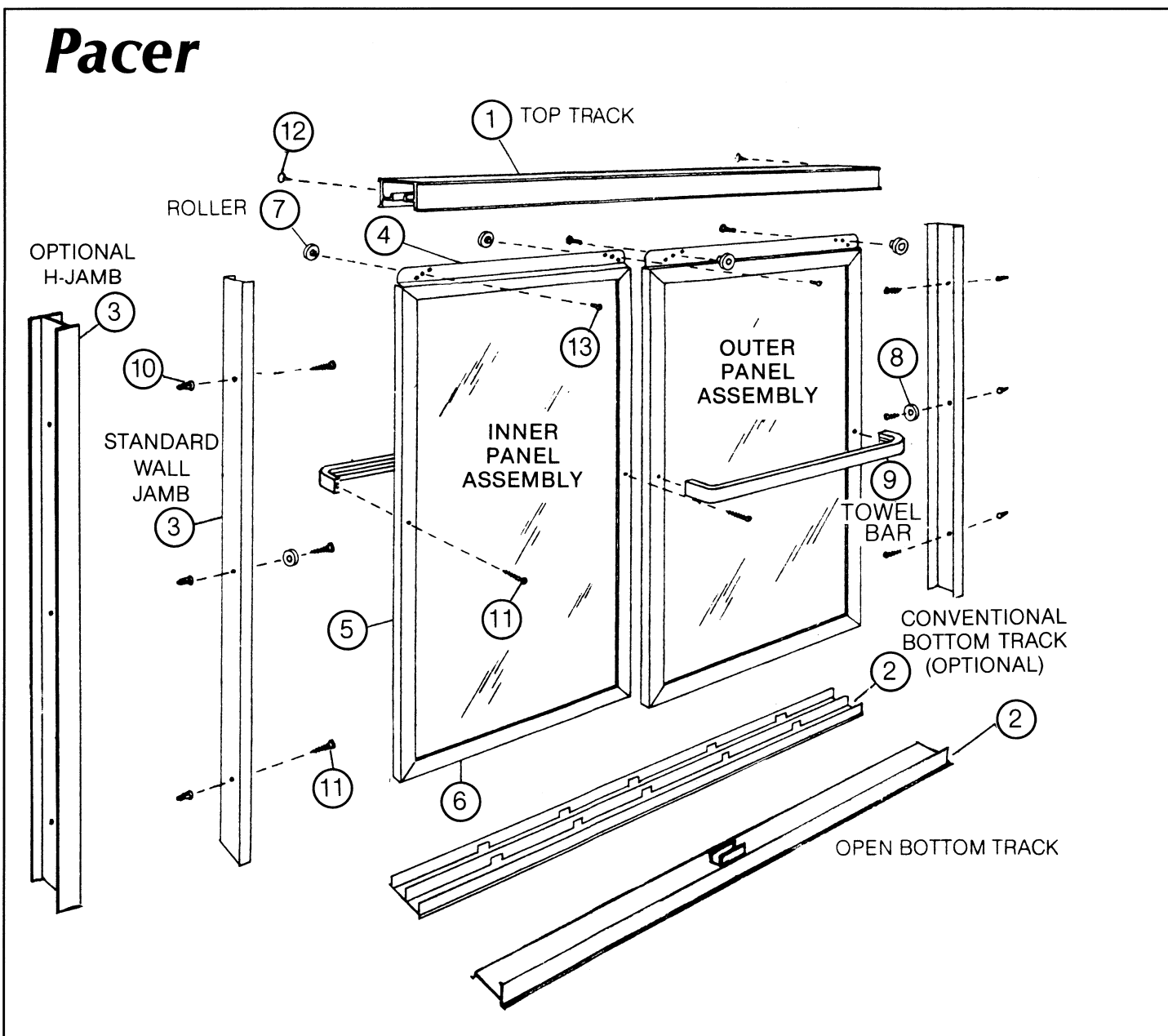
**IMPORTANT:** Record the Model No. (see carton) of your tub or shower enclosure for future reference.

Model No. \_\_\_\_\_

**READ THE INSTRUCTIONS CAREFULLY**, familiarize yourself with all the parts as shown in the exploded view. The exploded view will also provide a helpful reference when relating the location of the various parts and how they are mounted.

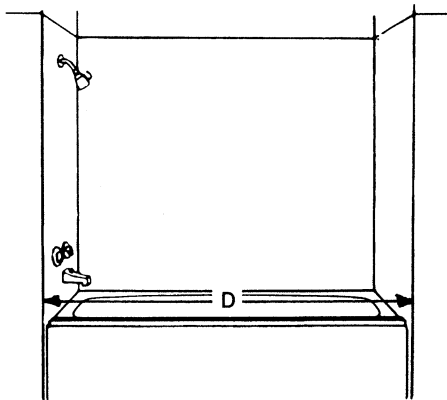
**TOOLS AND MATERIALS NEEDED:**

Tape Measure, Electric Drill, Level, Phillips and Flat Screwdrivers, Drill Bits (1/8" & 3/16"), Hacksaw, Silicone Caulk.



# installation

# 1



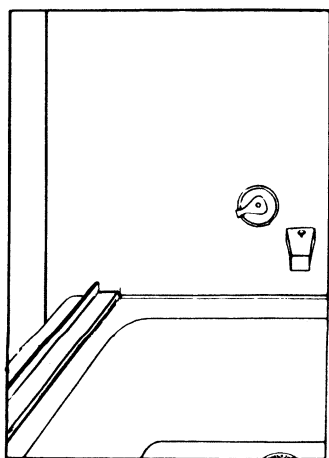
Measure distance D in the center of the tub ledge (if a steel tape is used, be sure to add the width of the case to the measurement).

# 2



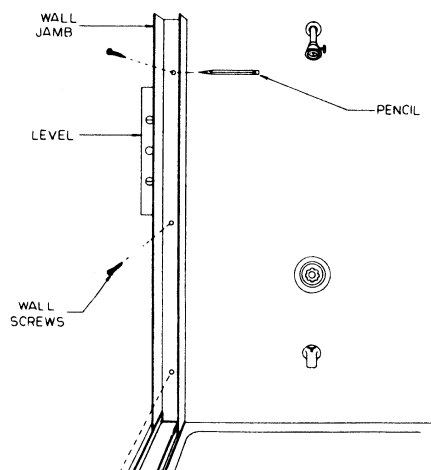
Cut bottom track  $\frac{3}{16}$ " shorter than distance "D". Do not cut top track at this time. For best results use a 32 tooth hacksaw blade and a miter box. (For open bottom track cut one half the total amount from both ends.)

# 3



Temporarily place bottom track in the center of the ledge. For conventional bottoms track, drain holes should be toward the inside. For open bottom track, the center guide should be toward the inside. Fasten in place temporarily with masking tape and mark its position with a pencil.

# 4

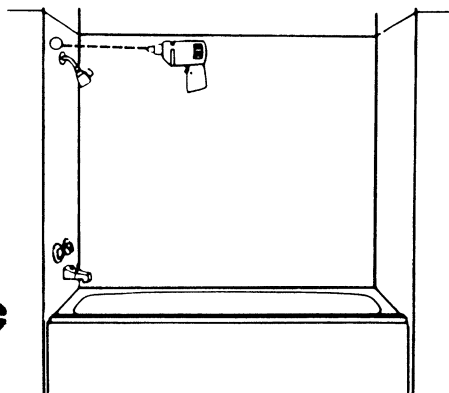


Use a level to plumb the wall jamb as shown and mark the 3 hole locations. Repeat procedure at opposite end of unit with other jamb.

# 5

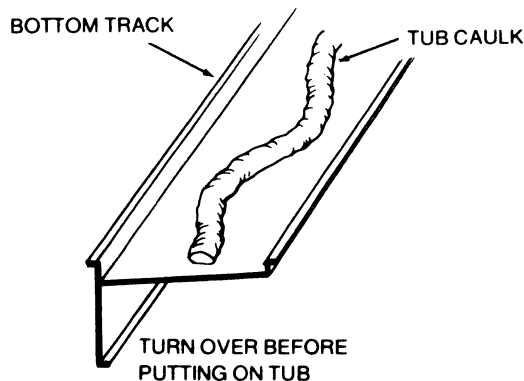


(ACTUAL SIZE)



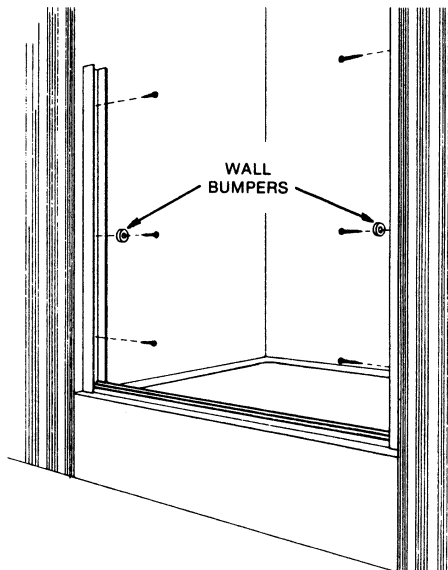
Remove bottom track and drill  $\frac{3}{16}$ " holes for screw anchors. In ceramic tile use a masonry drill and nick surface glaze first with a center punch. After drilling, clean tub rim or stall threshold thoroughly to assure proper adhesion of bottom track. Insert screw anchors provided.

# 6



Apply a thick bead of caulking to bottom of bottom track as shown, and replace on unit in marked location. NOTE: Position with drain slots to inside for conventional bottom track. Position the center guide to the inside for open bottom track.

# 7



STANDARD JAMB SCREW



(ACTUAL SIZE)

Install wall jamba and secure with wall screws provided. Make sure wall bumper is installed at the center as shown.

OPTIONAL H-JAMB SCREW



(ACTUAL SIZE)

# 8

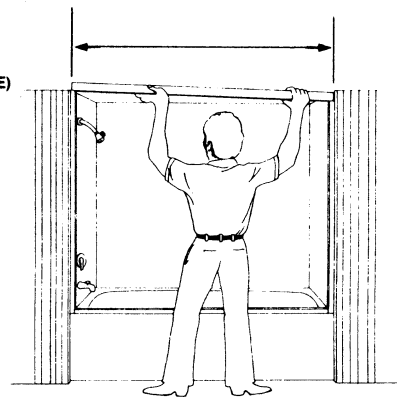


Measure the wall to wall opening at top of jambs and cut the header 1/16" shorter than the actual measurement to allow for clearance. For best results, use a 32 tooth hacksaw blade and a miter box.



(ACTUAL SIZE)

# 9

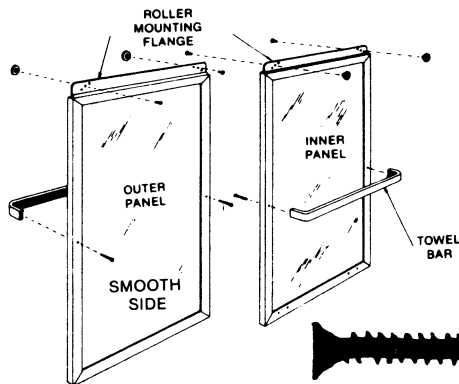


Install Header over each top end of wall jamba. Drill a 1/8" hole through the header and into the wall jamba from the inside at each end. (1/4" from the wall). Fasten header to wall jamba with screws provided.

# 10



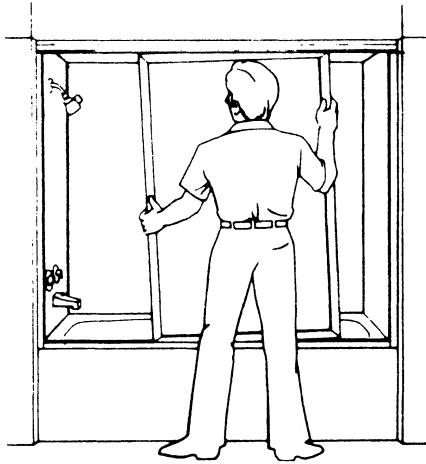
(ACTUAL SIZE)



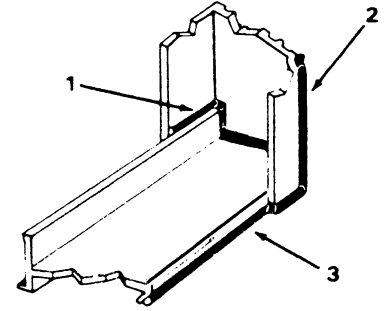
(ACTUAL SIZE)

Install Towel Bars\* to both doors as shown. Smooth side of panels (if any) should be facing inside the tub. Mount nylon rollers to center holes on top of each door, facing the same way as the towel bars. The other two holes are for adjustment in case of out-of-plumb walls.

# 11



# 12



Install door panels by lifting up inside the header and hanging the rollers on each respective groove.

1. Caulk the gap at both ends of the bottom track wall jambs. 2. Caulk along the inside of wall jamb. 3. Caulk along bottom track for additional sealing.

Key No.	Part Name	Pacer Part No.
1	HEADER	1390
2	BOTTOM TRACK	EX-104
3	WALL JAMB — STANDARD H-JAMB — OPTIONAL	EX-105 1391-1
4	TOP FRAME	1394
5	SIDE FRAME	1393
6	BOTTOM FRAME	1395
7	ROLLER	E9004
8	WALL BUMPER	55
9	TOWEL BAR	1398
10	SCREW ANCHOR	PSA-1
11	MTG. SCREW — WALL JAMB MTG. SCREW — OPTIONAL H-JAMB	81-P 82-P
12	MTG. SCREW — HEADER	838-PP
13	SCREW — ROLLER	832-12



**SHOWER-RITE**  
CORPORATION

**CORPORATE OFFICE**  
7519 South Greenwood Avenue  
Chicago, IL 60619  
(773) 483-5400 or  
(800) 925-9131  
FAX: (773) 483-5409  
www.showerite.com

## how to care for your enclosure

NEVER USE SCOURING POWDER, PADS OR SHARP INSTRUMENTS ON METAL WORK OR GLASS PANELS.

An occasional wiping down with mild detergent diluted in water is all that is needed to keep the panels and anodized aluminum parts looking new.