



OWNER'S MANUAL

Pacer Frameless

BY-PASS SHOWER DOOR

MODEL NO.

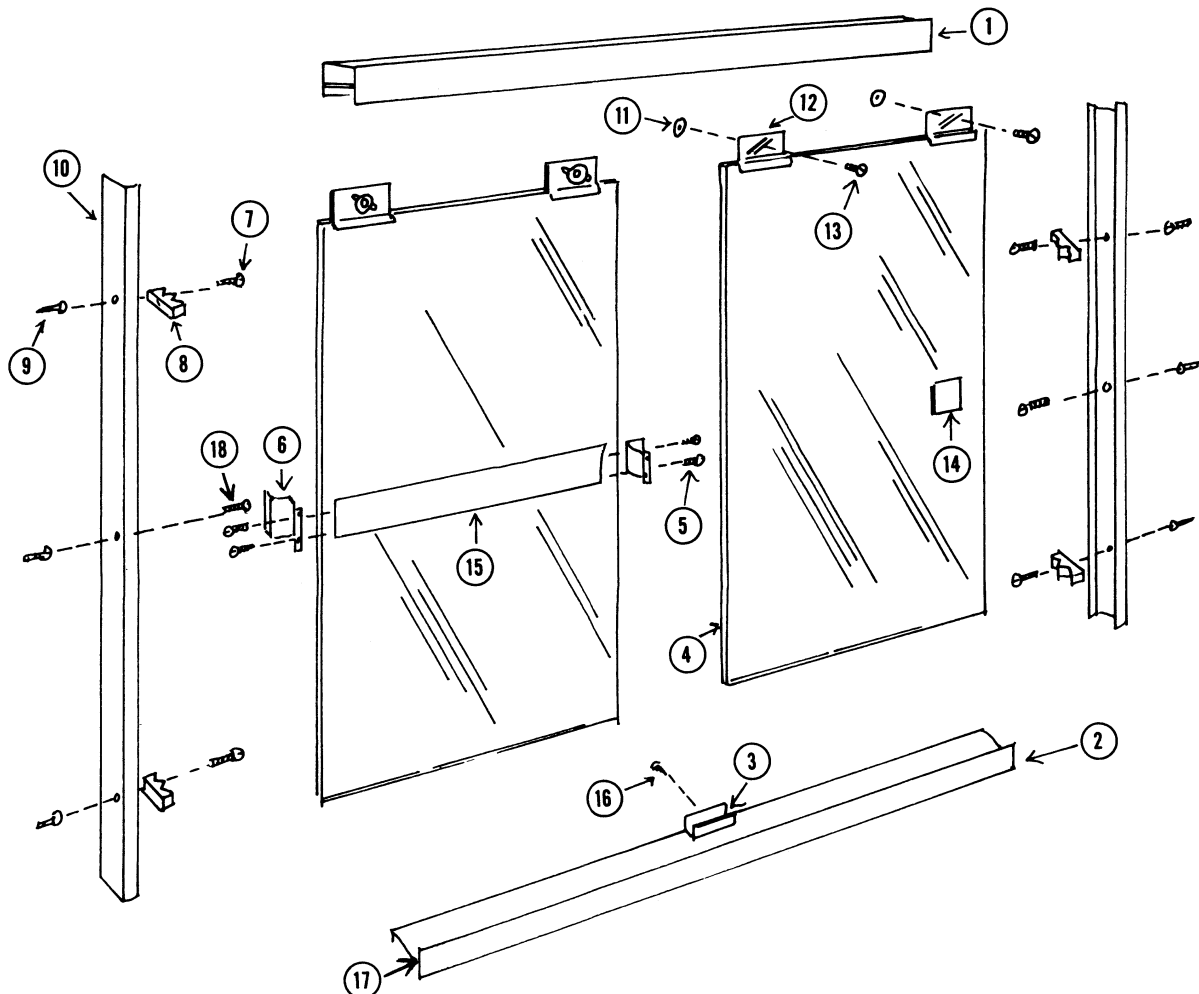
IMPORTANT:

Record the Model No. (see carton) of your tub or shower enclosure for future reference.

READ THE INSTRUCTIONS CAREFULLY, familiarize yourself with all the parts as shown in the exploded view. The exploded view will also provide a helpful reference when relating the location of the various parts and how they are mounted.

TOOLS AND MATERIALS NEEDED:

Tape Measure, Electric Drill, Level, Phillips Screwdriver, 1/8" and 3/16" Drill Bit, Hacksaw, Silicone Caulk, scissors, extra fine sandpaper, masking tape.



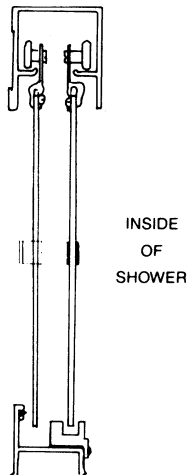
The Colors Plus system* lets you choose your style of shower door by the use of a reversible top track with two unique faces. Choose the Accent Strip Face and insert the color strips of your choice into the top track and towel bar. You can use the same color strip in both or mix and match any way you choose. Or, if you prefer the Accent Strip Face

without the accent strips then install exactly as shown in the drawing above. Or, if you prefer the Traditional Face with the fluted look, then you simply reverse the top track. Either way you can use the towel bar and two stick-on handles or four stick-on handles and no towel bar.

*patent pending

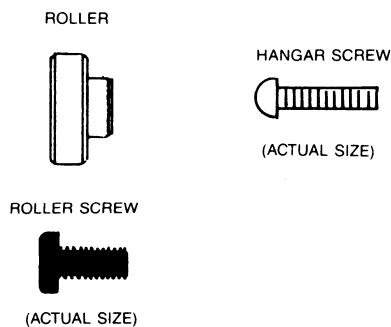
Installation

1

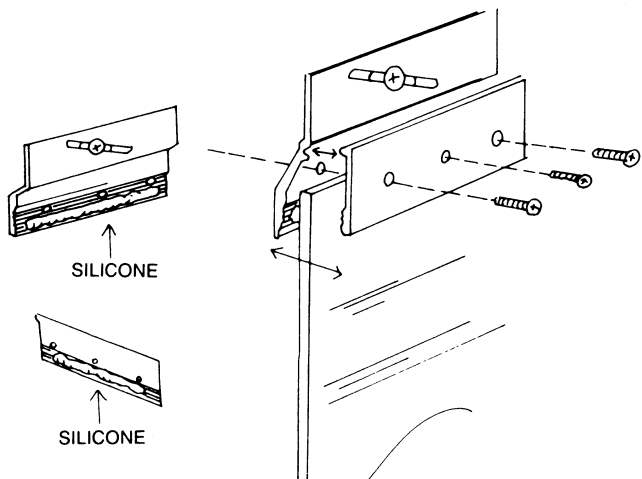


Before installing rollers, hangars, towel bar and handles, please see the side view of a completed door above. Note that the *screwheads* for the roller screws and hangar screws are located *between* the two panels. Also the painted side (if any) of both glass panels should be facing to the outside of the shower.

2



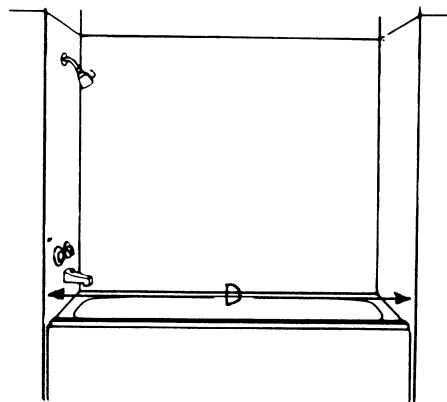
Mount nylon rollers in the bottom of the slots of the larger hangar piece with the roller on the smooth side. Apply silicone as shown. Position large and small hangars on top of glass 2" in from each end, clamp together and insert



screws from opposite side of rollers as shown alternately tightening each of the three screws. Trim excess silicone with sharp knife after it has set.

NOTE: This step should be done first to allow silicone to cure while proceeding with following steps.

3



Measure distance D in the center of the tub ledge (if a steel tape is used, be sure to add the width of the case to the measurement).

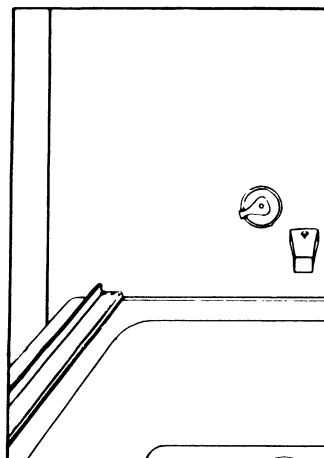
4



Cut bottom track 3/16" shorter than distance "D." Do not cut top track at this time. For best results use a 32 tooth hacksaw blade and a miter box.

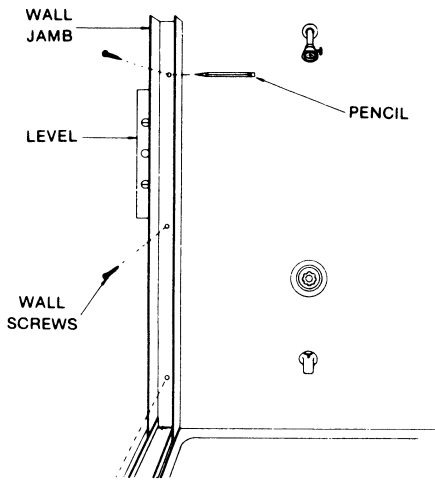
NOTE: Mistakes often occur in this step. Double check your measurements before cutting. Be sure to add the width of the case to the measurement if a steel tape is used.

5



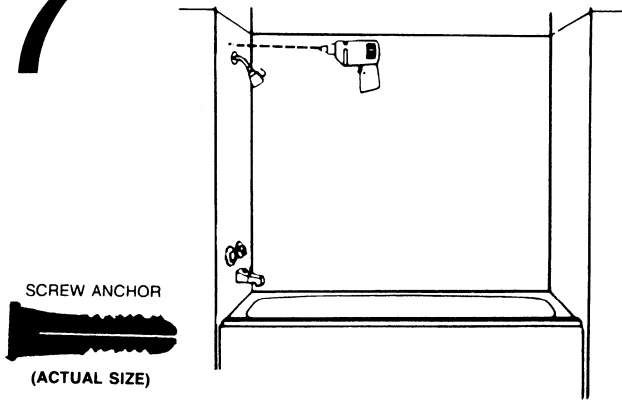
Temporarily place bottom track in the center of the ledge leaving small gap at each end for the wall jamb (high edge to the outside of tub). Fasten in place temporarily with masking tape and mark its position with a pencil.

6



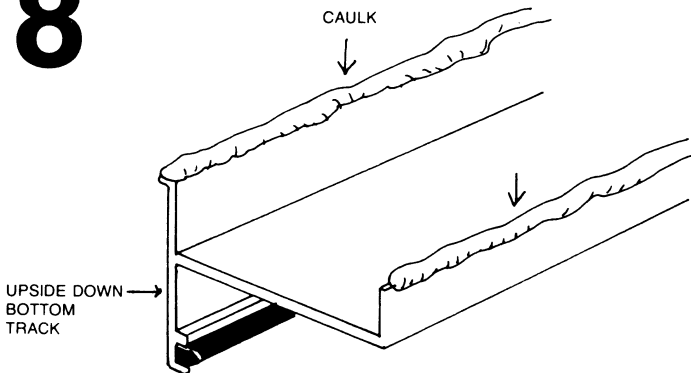
Use a level to plumb the wall jamb as shown and mark the 3 hole locations. Repeat procedure at opposite end of unit with other jamb. Close tub drain before proceeding.

7



Remove bottom track and drill 3/16" holes for screw anchors. In ceramic tile use a masonry drill and nick surface glaze first with a center punch. After drilling, clean tub rim or stall threshold thoroughly to assure proper adhesion of bottom track. Insert screw anchors provided.

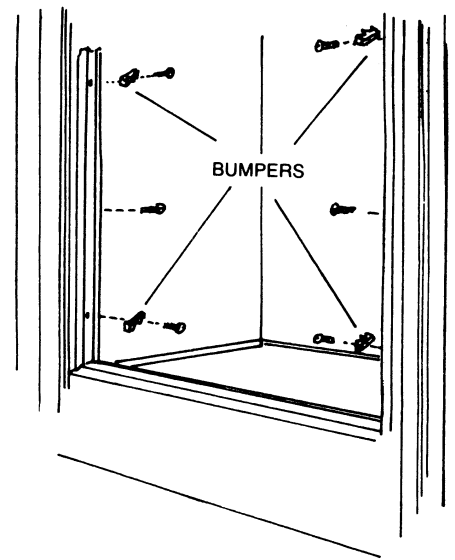
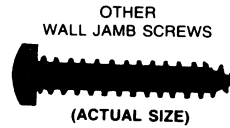
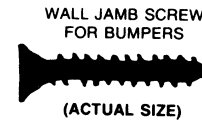
8



Apply silicone caulk to bottom of bottom track as shown and replace bottom track on ledge in marked location.

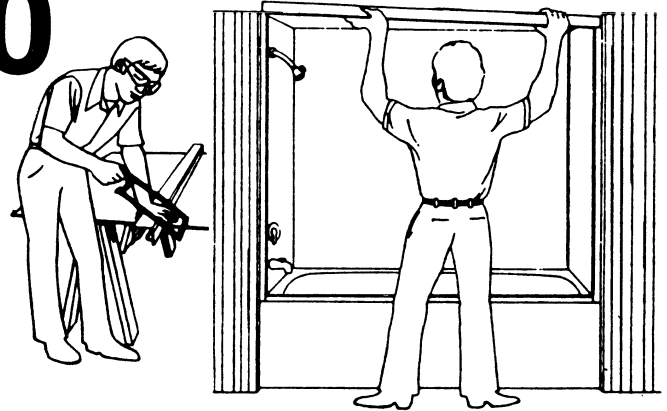
NOTE: The high edge of the bottom track should face the outside edge of the shower or tub. Carefully wipe off any caulk you may get on the outside metal surfaces (try not to move bottom track).

9



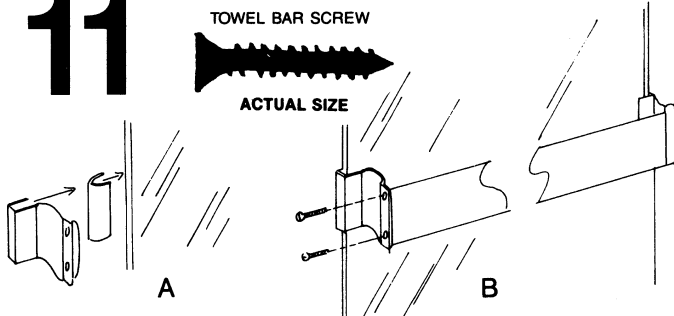
Install wall jamba and secure with wall screws provided. Make sure wall bumpers are installed as shown.

10



Measure the wall to wall opening at top of jamba and cut the top track 1/16" shorter than the actual measurement to allow for clearance. For best results, use a 32 tooth hacksaw blade and a miter box. Install on top of wall jamba.

11

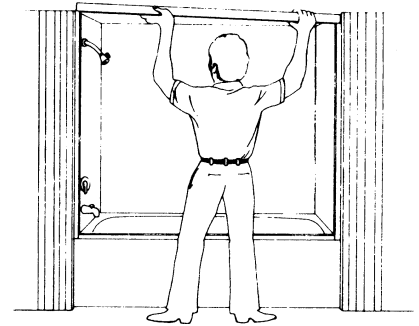


To attach the towel bar, wrap a rubber pad around the glass edge at the center of the exterior panel. Force the towel bar bracket over the pad (Drawing A), and do the same on the opposite edge of glass. If bracket is too tight, cover with cloth and pound on with rubber mallet or wood block. Slide the towel bar into position and insert screws (Drawing B).

From inside the shower, position a stick-on handle 1 1/2" in from the glass edge closest to the showerhead at the center of the interior panel. Remove backing and press in place. From outside the shower, press on another stick-on handle in the same position. Make sure the glass surfaces are clean and dry before applying handles.

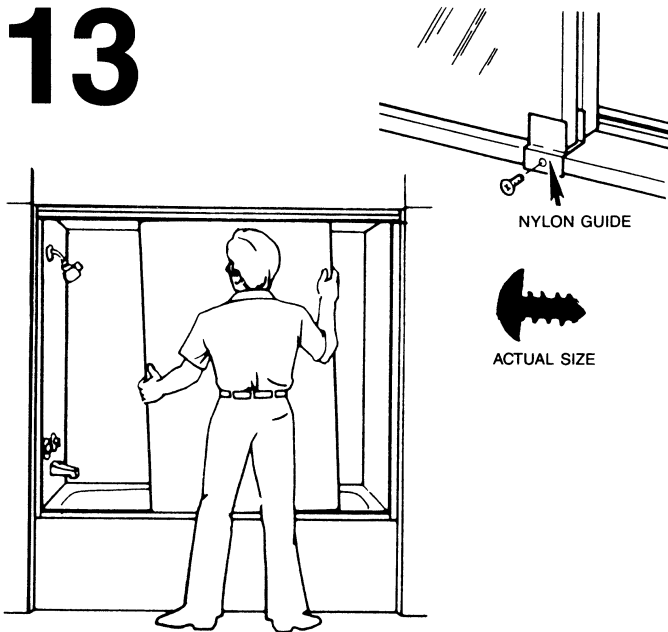
If desired, stick-on handles may also be used on outer panel if towel bar is not desired. They should be installed 1 1/2" from the glass edge farthest from the showerhead at the center of the outer panel.

12



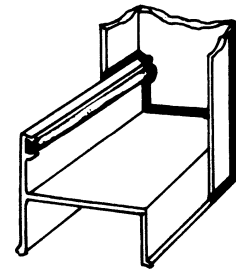
Install header over each top end of wall jambs. Drill a 1/8" hole through the header and into the wall jamb from the inside at each end (1/4" from the wall). Fasten header to wall jambs with screws provided.

13



Install inside door panel by lifting up inside the top track and hanging the rollers on groove. Repeat for the outside door panel. If panels are not parallel to the wall jambs, remove and adjust the rollers up or down in the roller slots. At the center of the bottom track slide the center guide under the inside panel as shown, drill hole with 1/8" drill bit and attach with screw.

14



1. Caulk the gap at both ends of the bottom track wall jambs.
2. Caulk along the inside wall jamb.

HOW TO ORDER REPLACEMENT PARTS

Always give the following information to your Dealer:

1. Part Name
2. Part Number
3. Part Description (Length, Size, Color, Etc.)
4. Model Number

KEY NO.	PART NAME	PART NO.
1	TOP TRACK	1190
2	BOTTOM TRACK	1192
3	CENTER GUIDE	CF1
4	GLASS PANEL	FG1
5	TOWEL BAR BRACKET SCREW	81-F
6	TOWEL BAR BRACKET	1197
7	WALL JAMB SCREW FOR BUMPER	81-F
8	WALL BUMPER	WB1
9	SCREW ANCHOR	PSA-1
10	WALL JAMB	EX105
11	ROLLER	E9004
12	HANGAR ASSEMBLY	HA1
13	ROLLER SCREW	832-12
14	HANDLE	1199
15	TOWEL BAR	1198
16	CENTER GUIDE SCREW	6-14
17	BOTTOM TRACK WIPER STRIP	BTW1
18	WALL JAMB SCREW	81-P

HOW TO CARE FOR YOUR ENCLOSURE

Never use scouring powder, pads or sharp instruments on metal or glass panels. An occasional wiping down with mild detergent diluted in water is all that is needed to keep the glass, anodized aluminum and color accent strips looking new. The use of squeegee following each shower is recommended to eliminate water spots on the inside of the glass panels.



Division Shower-Rite

7519 South Greenwood Avenue
Chicago, Illinois 60619
(773) 483-5400 or
(800) 925-9131
Fax: (773) 483-5409
Website: www.showerite.com