

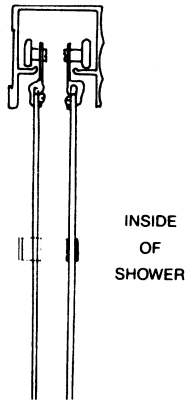


**INSTALLATION INSTRUCTIONS
FOR
BY-PASS SLIDING DOORS
SD-48-V SD-56-V SD-60-V SD-73-V**

PACKING LIST

- 2 - Glass Panels
- 1 - Header
- 2 - Towel Bars
- 2 - Hardware Packs

- 1) Before installing rollers, hangers, towel bar and handles, please see the side view of a completed door below. Note that the screwheads for the roller screws and hanger screws are located between the two panels. Also the painted side (if any) of both glass panels should be facing to the outside of the shower.

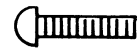


- 2) Mount nylon rollers in the bottom of the slots of the larger hanger piece with the roller on the smooth side. Apply silicone as shown.

ROLLER



HANGAR SCREW



(ACTUAL SIZE)

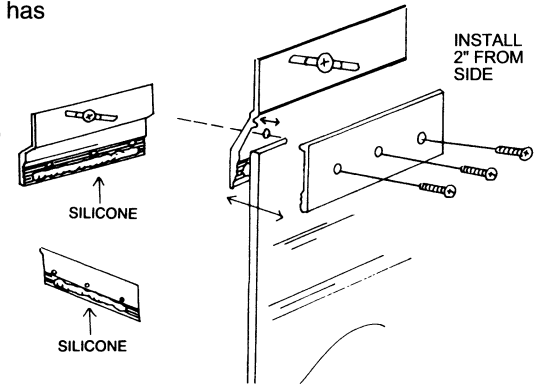
ROLLER SCREW



(ACTUAL SIZE)

cone as shown. Position large and small hangers on top of glass 2" in from each end, clamp together and insert screws from opposite side of rollers as shown alternately tightening each of the three screws. Trim excess silicone with sharp knife after it has set. **NOTE:**

This step should be done first to allow silicone to cure while proceeding with the following steps.



INSTALLATION

STEP 1: LOCATING MOUNTING BRACKETS

- 1) Refer to Table 1 to find the DIM. A which corresponds to the door you are installing. Measure up from the lower edge of the door opening to find the height of the hole locations. **SEE FIGURE 1.**
- 2) Mark the hole locations $3\frac{3}{8}$ " and 4" from the face of the unit. **SEE FIGURE 1.** (Note * on MS 348)
- 3) Drill $\frac{5}{32}$ " holes (4 places) and fasten the mounting brackets into place with #10X1 $\frac{1}{2}$ " screws provided.

UNIT	DOOR	DIM. A
MS 348 & A4834.02	SD48-V	68 $\frac{1}{8}$ "
MS 4836 & A4836.01	SD48-V	68 $\frac{1}{8}$ "
MS 305 & A6034.05	SD56-V	67 $\frac{7}{8}$ "
MS 306 & A6034.07	SD56-V	67 $\frac{7}{8}$ "
MTS 360 & A6035.21	SD60-V	58 $\frac{1}{8}$ "
MTS 6200 & A6031.20	SD60-V	58 $\frac{1}{8}$ "
MTS 6300 & A6031.21	SD60-V	58 $\frac{1}{8}$ "
MTS 6035 & A6035.22	SD60-V	58 $\frac{1}{8}$ "
MTS 377 & A7237.20	SD73-V	57 $\frac{1}{4}$ "

STEP 2: MOUNTING THE HEADER BAR

- 1) Measure the distance between the walls at the mounting bracket location. **ONLY IF REQUIRED,** cut the header bar with a fine hacksaw and place it over the brackets as shown in **FIGURE 2.** **NOTE:** Make sure header bar is level.

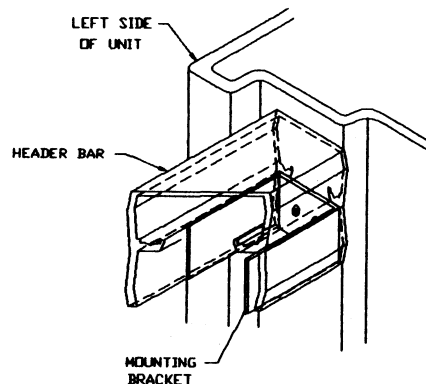


FIGURE 1

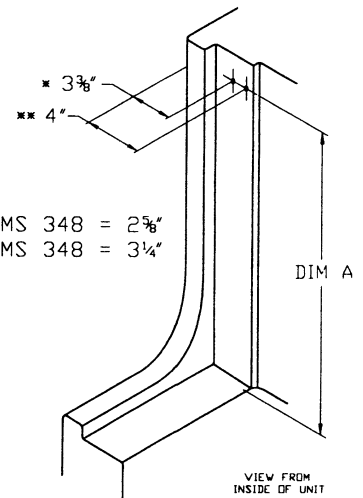
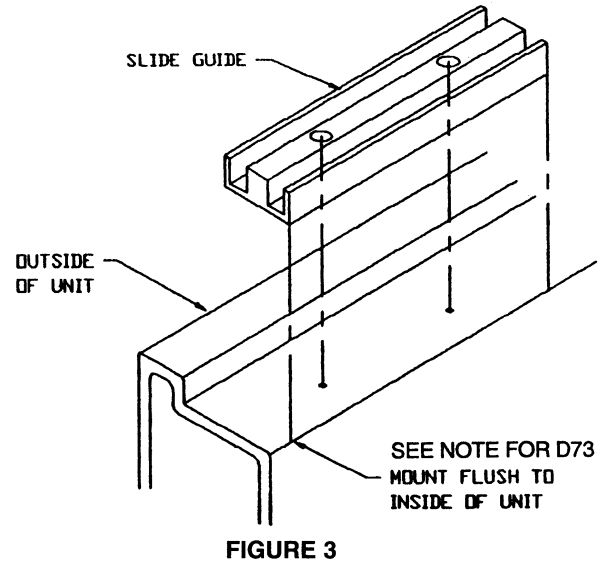


FIGURE 2

STEP 3: MOUNTING BOTTOM SLIDE GUIDE

- 1) Locate center of shower opening.
- 2) Center the door slide guide from side to side and flush to the inside edge. **(NOTE: For D73-V door, slide guide must be mounted 2⁷/₈" in from the front face of the unit).**
SEE FIGURE 3.
- 3) Mark hole locations and drill two (2) - 5/32" holes.
- 4) Fasten slide guide in place with #10 x 1 1/2" screws.



STEP 4: HANGING THE GLASS PANELS

- 1) Drill 5/32" hole for bumper screw. Insert WBI wall bumper into mounting bracket, and attach using 8 x 1 #7 wall bumper screw.
- 2) Insert glass panels into the header bar and then the bottom slide guide. **SEE FIGURE 5.**

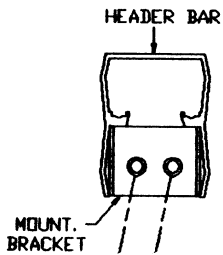


FIGURE 4

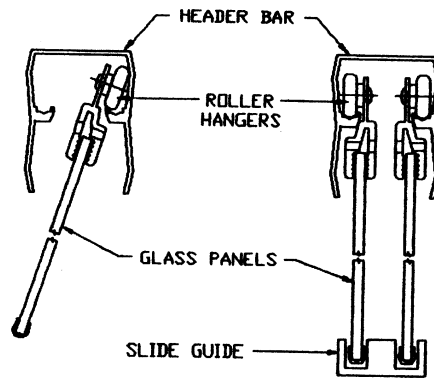


FIGURE 5

- 3) The glass panel on the inside track must be closest to the "shower head" side of the unit.
- 4) Panel height may be adjusted by changing the position of the rollers as required.

STEP 5: ATTACHING PULL HANDLES & TOWEL BARS

- a) #1: INSIDE DOOR - Slip on the U shaped vinyl gasket onto the edge of the glass so the top edge of the vinyl is 27" down from the top of the glass for SD-60-V and SD-73-V doors, and 32" down for SD-48-V and SD-56-V doors. Tap the Pull Handles into place with a rubber mallet. **SEE FIGURE 6.**
- b) #1: OUTSIDE DOOR - Slip on the U shaped vinyl gasket onto the edge of the glass so the top edge of the vinyl is 27" down from the top of the glass for SD-60-V and SD-73-V doors, and 32" down for SD-48-V and SD-56-V doors. Tap the Towel Bar Brackets into place with a rubber mallet. Position the towel bars between the brackets and secure them in place with the #5 x 3/4" screws provided. **SEE FIGURE 6.**

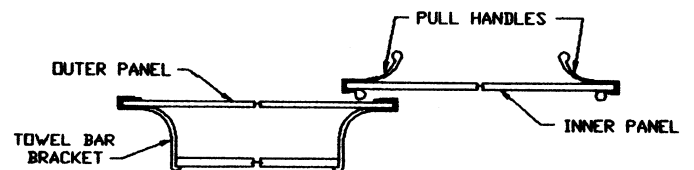
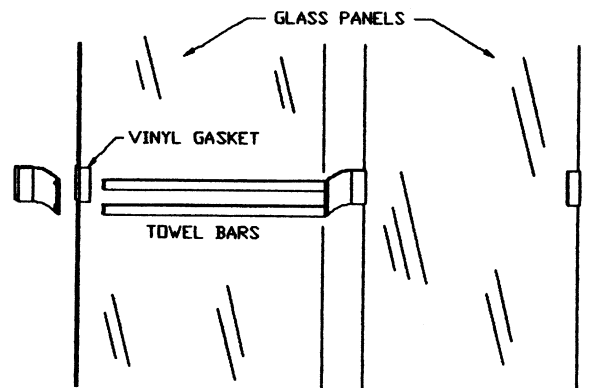


FIGURE 6

PARTS LIST

BY-PASS DOORS

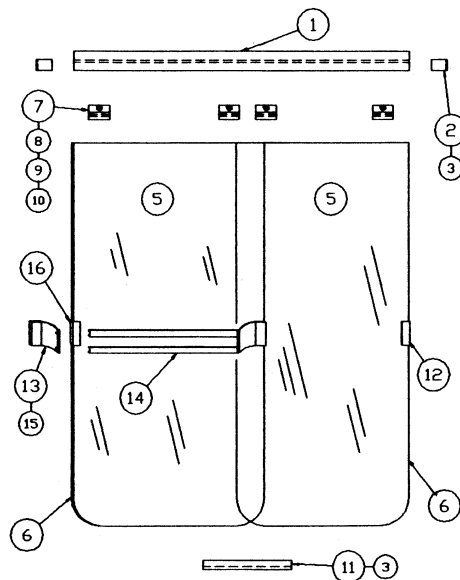
	DESCRIPTION	D-48-V	D-56-V	D-60-V	D-73-V	QTY.
1	HEADER BAR	A_H480	A_H600	A_H600	A_H730	1
2	MOUNTING BRACKETS	EX106	EX106	EX106	EX106	2
3	#10x1½" SCREW	S_1003	S_1003	S_1003	S_1003	6
5	GLASS PANEL	G_B480	G_B560	G_B600	G_B730	2
7	ROLLER HANGER	A_4659	A_4659	A_4659	A_4659	4
8	ROLLER	HW2151	HW2151	HW2151	HW2151	4
9	¾" PAN HEAD SCREW	SC0807	SC0807	SC0807	SC0807	4
10	HANGER SCREW	6-32 x ½"	6-32 x ½"	6-32 x ½"	6-32 x ½"	12
11	SLIDE GUIDE	VSG	VSG	VSG	VSG	1
12	PULL HANDLE	A_4658	A_4658	A_4658	A_4658	1
13	TOWEL BAR BRACKET	A_4657	A_4657	A_4657	A_4657	2
14	TOWEL BAR	A_T480	A_T560	A_T600	A_T730	2
15	#5X¾" SCREW	S_0601	S_0601	S_0601	S_0601	4
16	VINYL GASKET	VL1586	VL1586	VL1586	VL1586	4
17	SLIDE GUIDE SCREW	8 x 1½	8 x 1½	8 x 1½	8 x 1½	2
18	WALL BUMPER	WBI	WBI	WBI	WBI	2
19	WALL BUMPER SCREW	8 x 1 #7	8 x 1 #7	8 x 1 #7	8 x 1 #7	2

****NOTES:** The blanks must be filled in when ordering according to your needs:

1.) Chrome or Brass Parts - fill in C or B

2.) For Glass Panels - D-48-V & D-60-V
 C or Clear
 O for Obscure
 P for Pattern

3.) For Glass Panels - D-56-V & D-73-V
 C for Clear
 O for Obscure



All statements, technical information, and recommendations contained herein are based on tests we believe to be reliable; but the accuracy or completeness thereof is not guaranteed, and the following is made in lieu of all warranties, expressed or implied. Neither seller nor manufacturer shall be liable for any injury, loss or damage, direct or consequential, arising out of the use of or the inability to use the product. Before using, the user shall determine suitability of the product for the intended use and user assumes all risks and liability whatsoever in connection therewith. No statement or recommendation contained herein shall have any force or effect, unless it is an agreement signed by officers of seller or manufacturer.

National Customer Assistance Group

255 Hutching Street Winnipeg Manitoba R2X 2R4

Toll Free 1-800-665-7531 (204) 633-6122

Fax (204) 632-4854

In the U.S. call 1-800-546-5476