



# OWNER'S MANUAL

## EURO

### FRAMELESS BY-PASS SHOWER DOOR

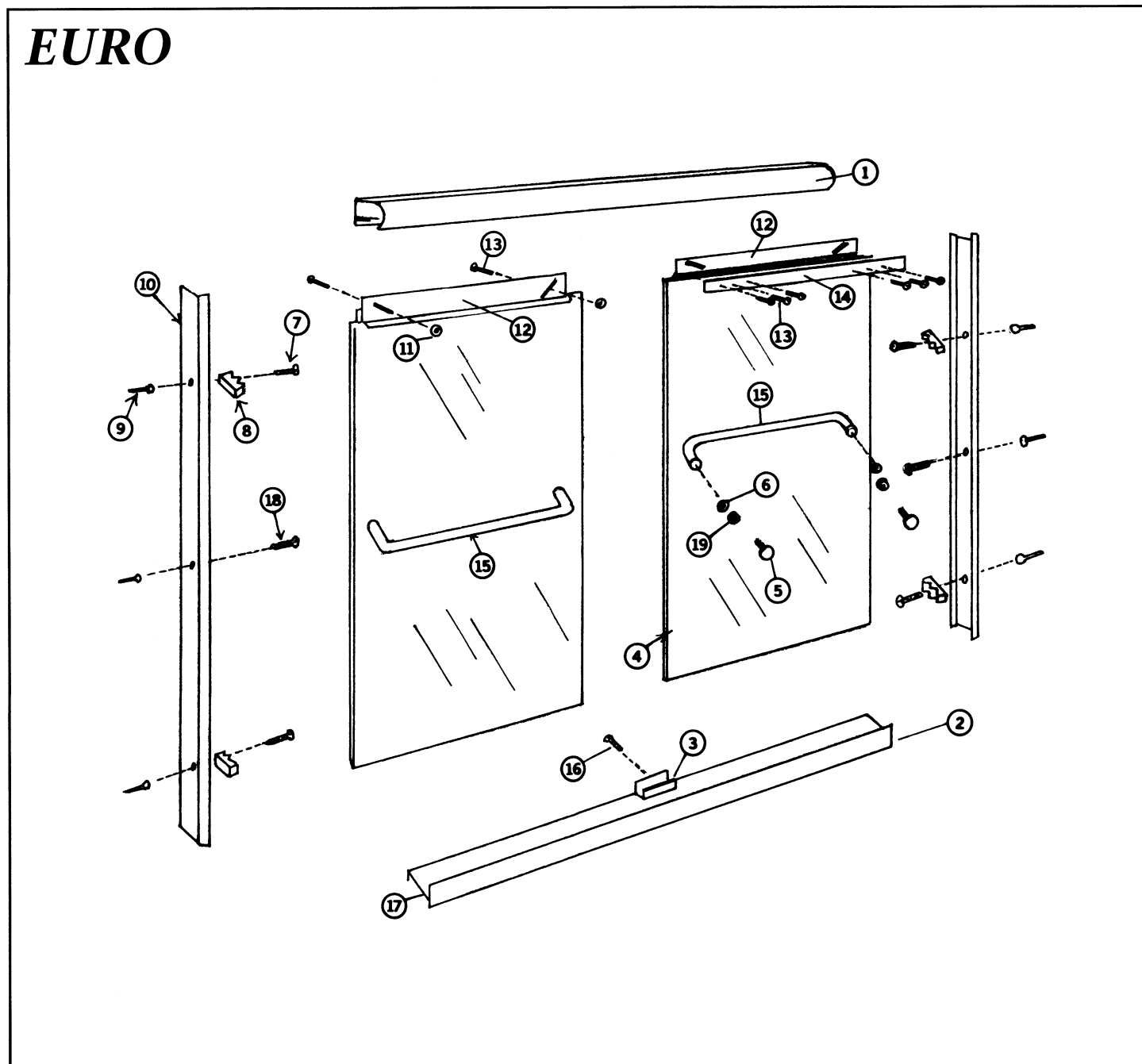
**IMPORTANT:** Record the Model No. (see carton) of your tub or shower enclosure for future reference.

Model No. \_\_\_\_\_

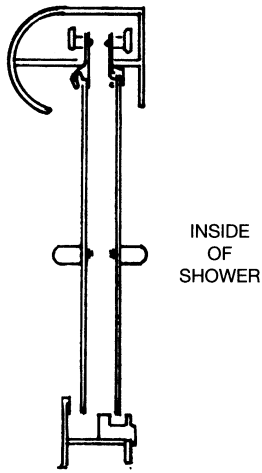
**READ THE INSTRUCTIONS CAREFULLY**, familiarize yourself with all the parts as shown in the exploded view. The exploded view will also provide a helpful reference when relating the the location of the various parts and how they are mounted.

**TOOLS AND MATERIALS NEEDED:**

Tape Measure, Electric Drill, Level, Phillips Screwdriver, Drill Bits (1/8" & 3/16"), Hacksaw, Silicone Caulk

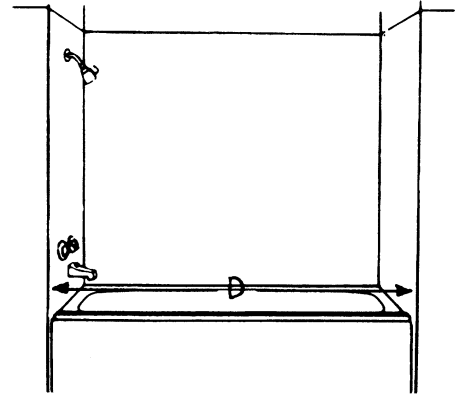


# 1



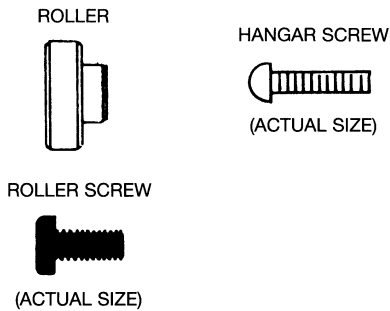
Before installing rollers, hangars, and towel bars, please see the side view of a completed door above. Note that the screwheads for the roller screws and hangar screws are located *between* the two panels.

# 3

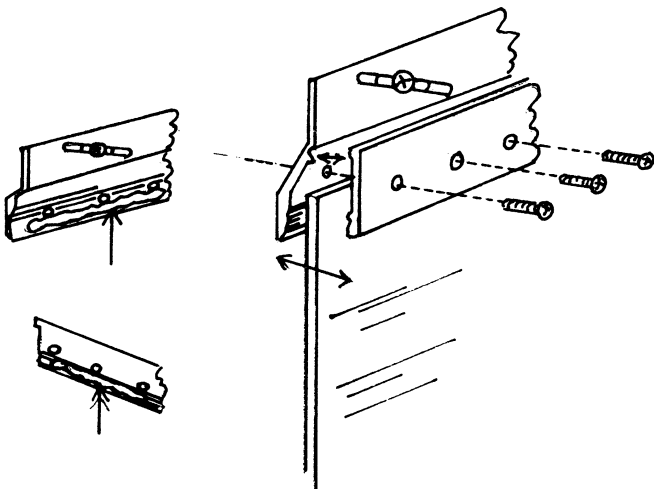


Measure distance "D" in the center of the tub ledge (if a steel tape is used, be sure to add the width of the case to the measurement.)

# 2



Mount nylon rollers in the bottom of the slots of the larger hangar piece with the roller on the smooth side. Apply silicone as shown. Position large and small hangars on top of glass, clamp together and insert screws from



opposite side of rollers as shown alternately tightening each of the three screws. Trim excess silicone with sharp knife after it has set.

**NOTE:** This step should be done first to allow silicone to cure while proceeding with following steps.

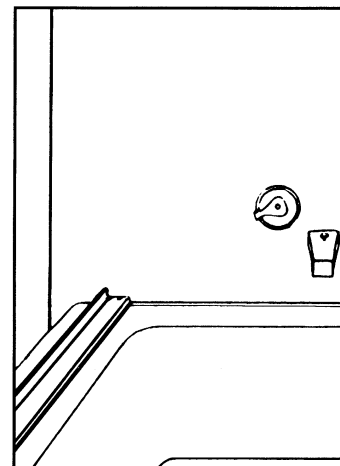
# 4



Cut bottom of track 3/16" shorter than distance "D". Do not cut top track at this time. For best results use a 32 tooth hacksaw blade and a miter box.

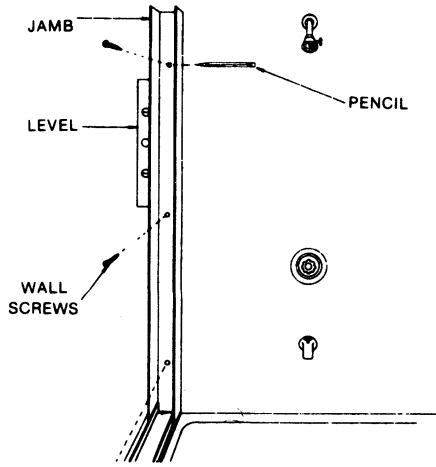
**NOTE:** Mistakes often occur in this step. Double check your measurements before cutting. Be sure to add the width of the case to the measurement if a steel tape is used.

# 5



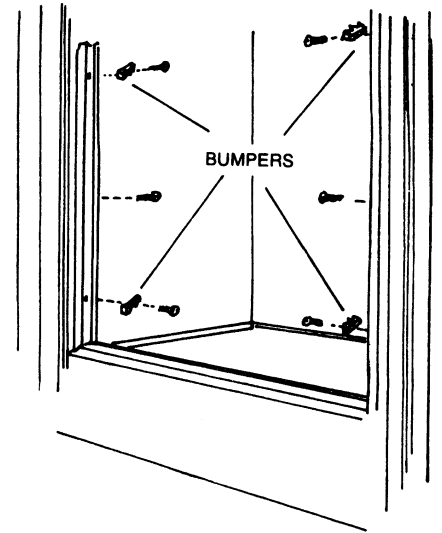
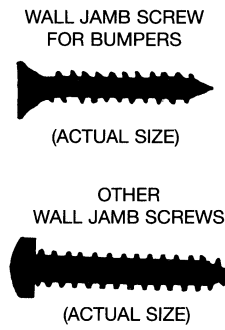
Temporarily place bottom track on the ledge at least 3/4" in from outside edge and leaving small gap at each end for the wall jamb (high edge to the outside of tub). Fasten in place temporarily with masking tape and mark its position with a pencil.

# 6



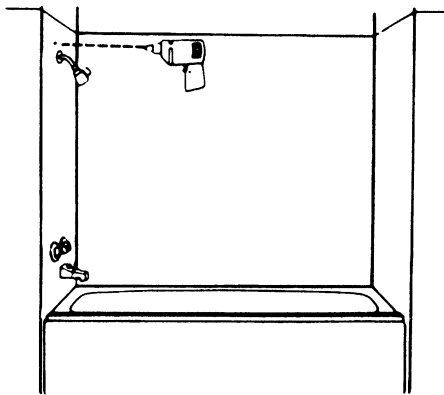
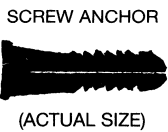
Use a level to plumb the wall jamb as shown and mark the 3 hole locations. Repeat procedure at opposite end of unit with other jamb. Close tub drain before proceeding.

# 9



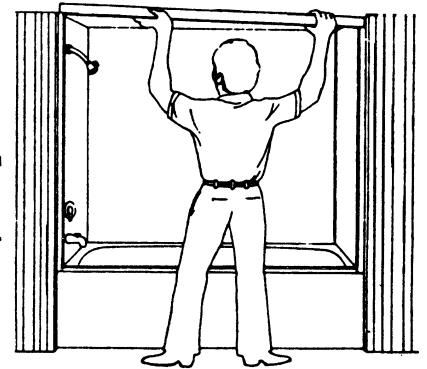
Install wall jamba and secure with wall screws provided. Make sure wall bumpers are installed as shown.

# 7



Remove bottom track and drill 3/16" holes for screw anchors. In ceramic tile use a masonry drill bit and nick surface glaze first with a center punch. After drilling, clean tub rim or stall threshold thoroughly to assure proper adhesion of bottom track. Insert screw anchors provided.

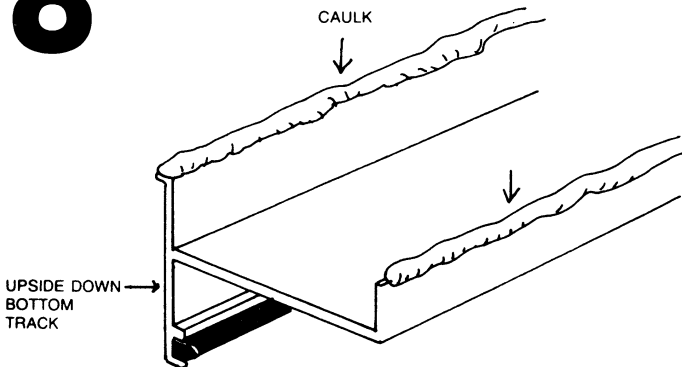
# 10



Measure the wall to wall opening at top of jamba and cut the top track 1/16" shorter than the actual measurement to allow for clearance. For best results, use a 32 tooth hacksaw blade and a miter box.

At this point you should decide which style of top track you prefer, curved or flat.

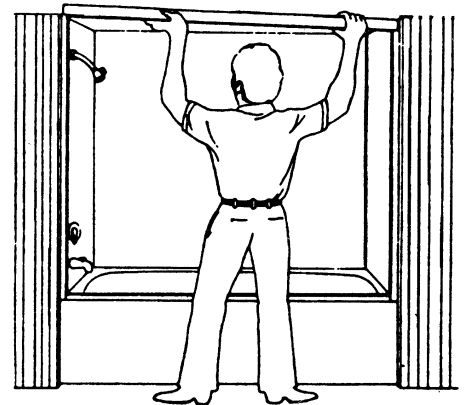
# 8



Apply silicone caulk to bottom of bottom track as shown and replace bottom track on ledge in marked location.

**NOTE:** The high edge of the bottom track should face the outside edge of the shower or tub. Carefully wipe off any caulk you may get on the outside metal surfaces (try not to move bottom track).

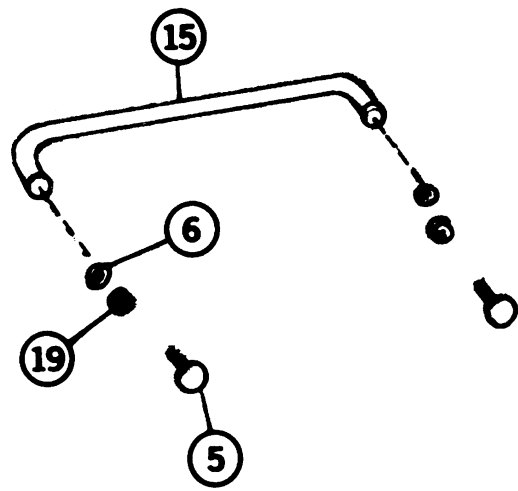
# 11



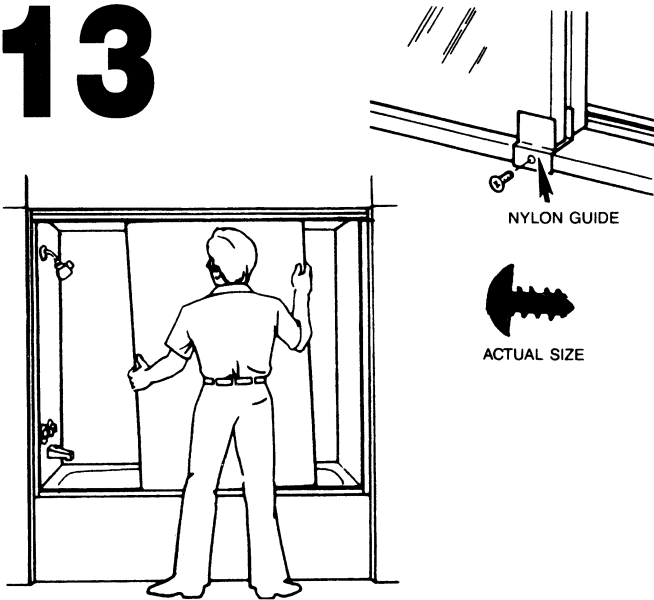
Install header over each top end of wall jamba. Drill a 1/8" hole through the header and into the wall jamb from the inside at each end (1/4" from the wall). Fasten header to wall jamba with screws provided.

# 12

To attach the towel bar, first put the plastic grommets into the holes in the glass. Next, put a washer over the towel bar screw and insert into grommet. Put a washer and a towel bar on other side of the grommet and thread the screw loosely into the towel bar. Hand tighten after all four screws are in place. If towel bar loosens over time, put a cloth over the edge of the screws and tighten with pliers.

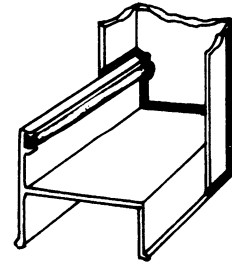


# 13



Install inside door panel by lifting up inside the top track and hanging the rollers on groove. Repeat for the outside door panel. If panels are not parallel to the wall jambs, remove and adjust the rollers up or down in the roller slots. At the center of the bottom track slide the center guide under the inside panel as shown, drill hole with 1/8" drill bit and attach with screw.

# 14



1. Caulk the gap at both ends of the bottom track wall jambs.
2. Caulk along the inside wall jambs.

## HOW TO ORDER REPLACEMENT PARTS

Always give the following information to your Dealer:

1. Part Name
2. Part Number
3. Part Description (Length, Size, Color, etc.)
4. Model Number

Key No.	Part Name	Part No.
1	TOP TRACK	1191
2	BOTTOM TRACK	1192
3	CENTER GUIDE	TCF1
4	GLASS PANEL	TFG1
5	TOWEL BAR SCREW	T81-F
6	TOWEL BAR WASHERS	TW
7	WALL JAMB SCREW FOR BUMPER	81-F
8	WALL BUMPER	TWB1
9	SCREW ANCHOR	PSA-1
10	WALL JAMB	TEX105
11	ROLLER	E9004
12	HANGAR – LARGE	T1194
13	ROLLER SCREW	832-38
14	HANGAR – SMALL	T1195
15	TOWEL BAR	T1198
16	CENTER GUIDE SCREW	812
17	BOTTOM TRACK WIPER STRIP	BTW2
18	WALL JAMB SCREW	81-P
19	GROMMETS	TG

## HOW TO CARE FOR YOUR ENCLOSURE

Never use scouring powder, pads or sharp instruments on metal or glass panels. An occasional wiping down with mild detergent diluted in water is all that is needed to keep the panels and anodized aluminum parts looking new. The use of squeegee following each shower is recommended to eliminate water spots on the inside of the glass panels.



### Shower-Rite

7519 South Greenwood Avenue  
Chicago, Illinois 60619  
(773) 483-5400 or  
(800) 925-9131  
Fax: (773) 483-5409  
Website: www.showerite.com